

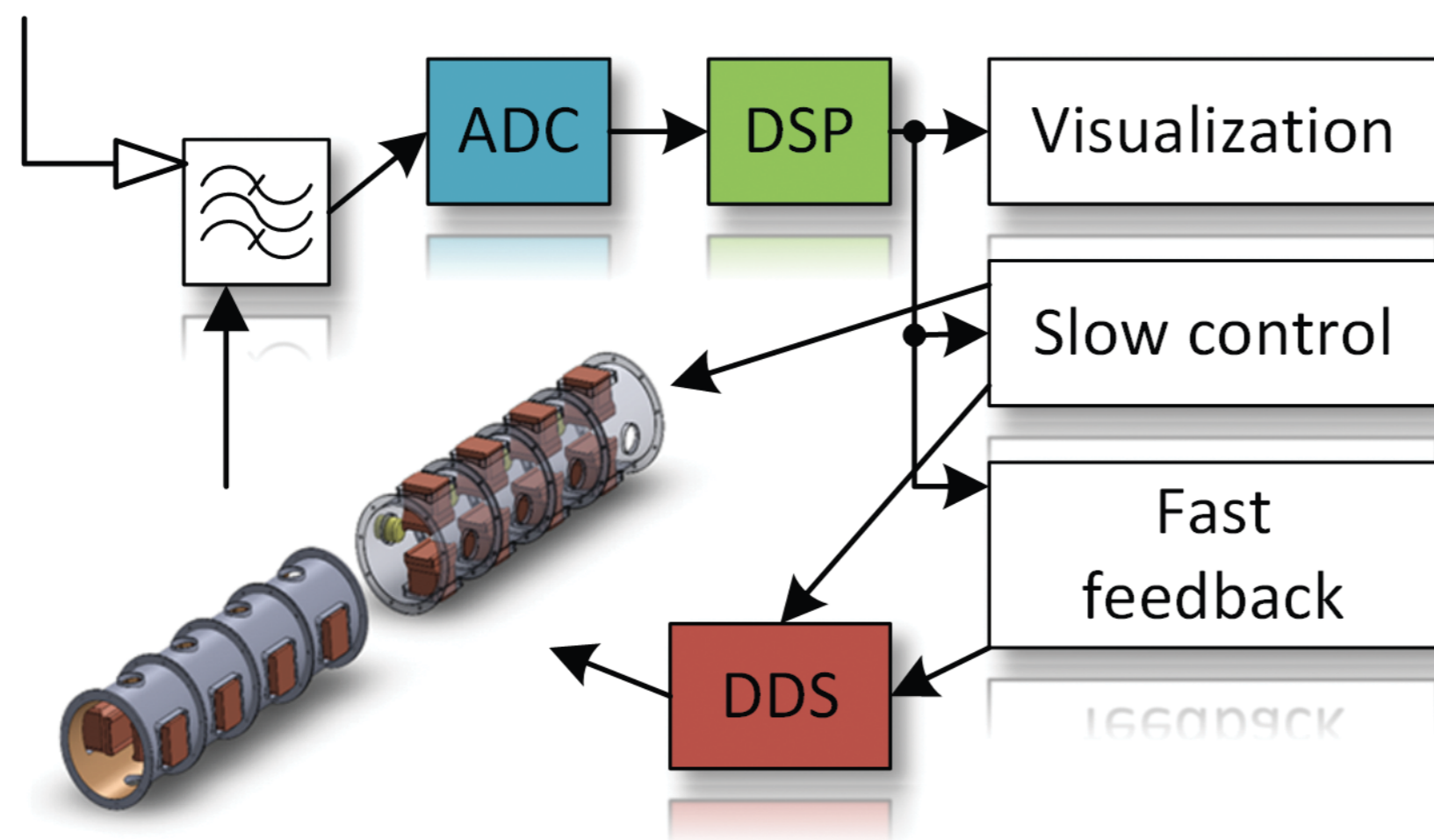
# DIGITAL SIGNAL PROCESSING ALGORITHMS FOR LINAC LOW-LEVEL RF SYSTEMS

D.Liakin, S.Barabin, A.Orlov, ФГБУ 'ГНЦ РФ ИТЭФ' НИЦ 'КИ'

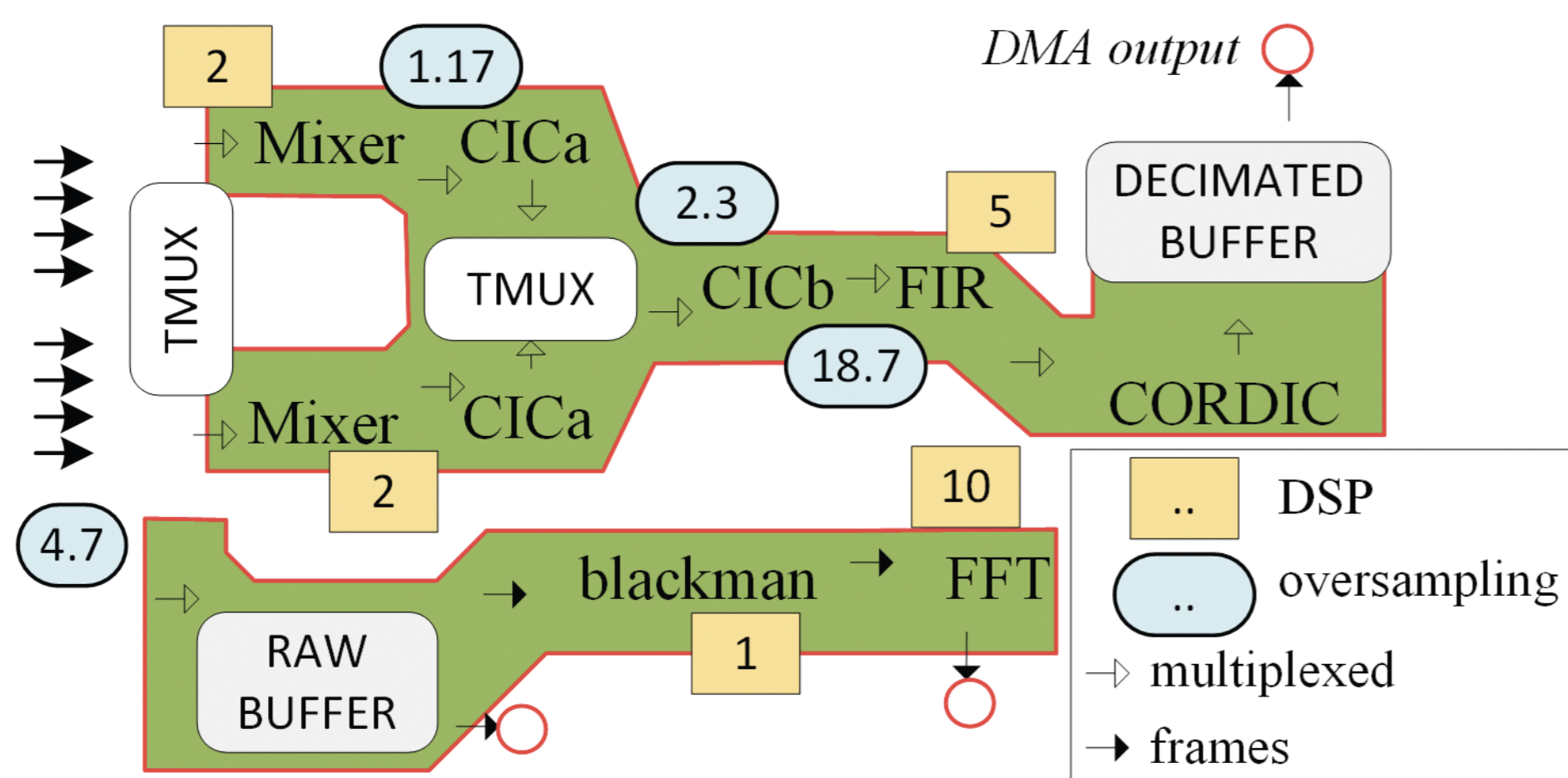
## Abstract

Set of LLRF systems had been designed for various applications of resonant RF devices such as accelerators or beam deflectors. Paper presents a compact signal detection algorithms, used in most of developed systems. Application specific extension of the algorithm allows the system to be synchronized to external self-excited oscillator.

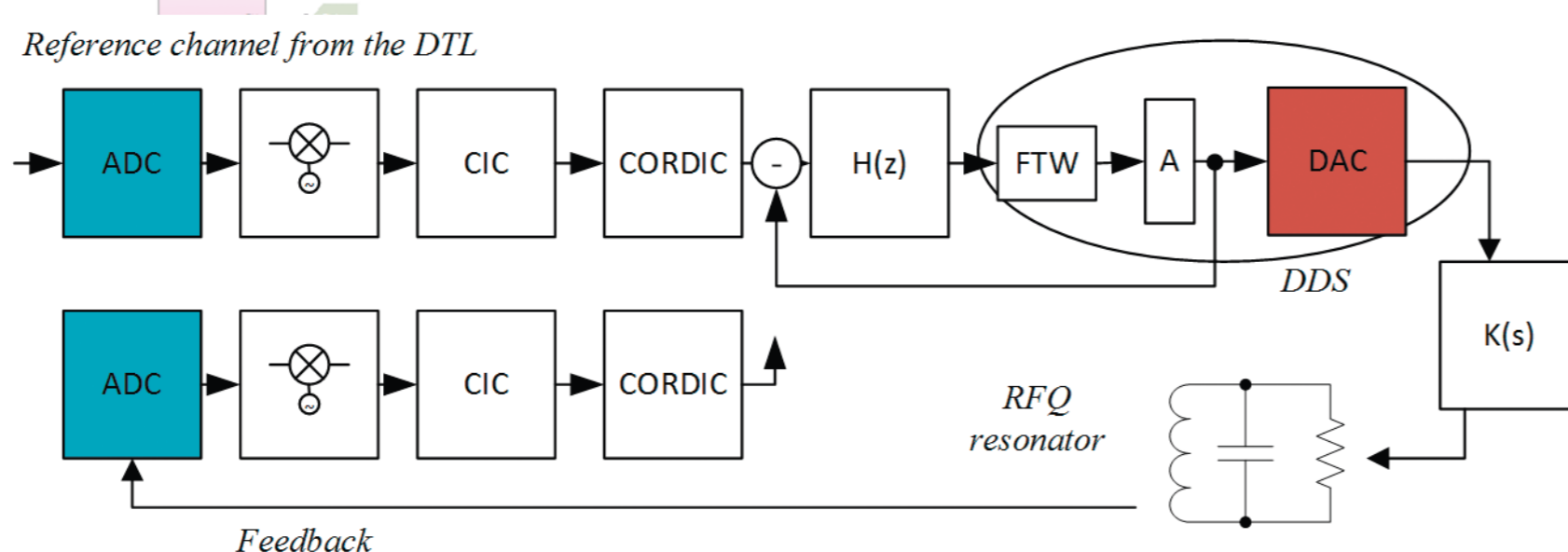
External ref., feedback, feedforward



General structure of LLRF system includes generator part, measurement part and signal processor.

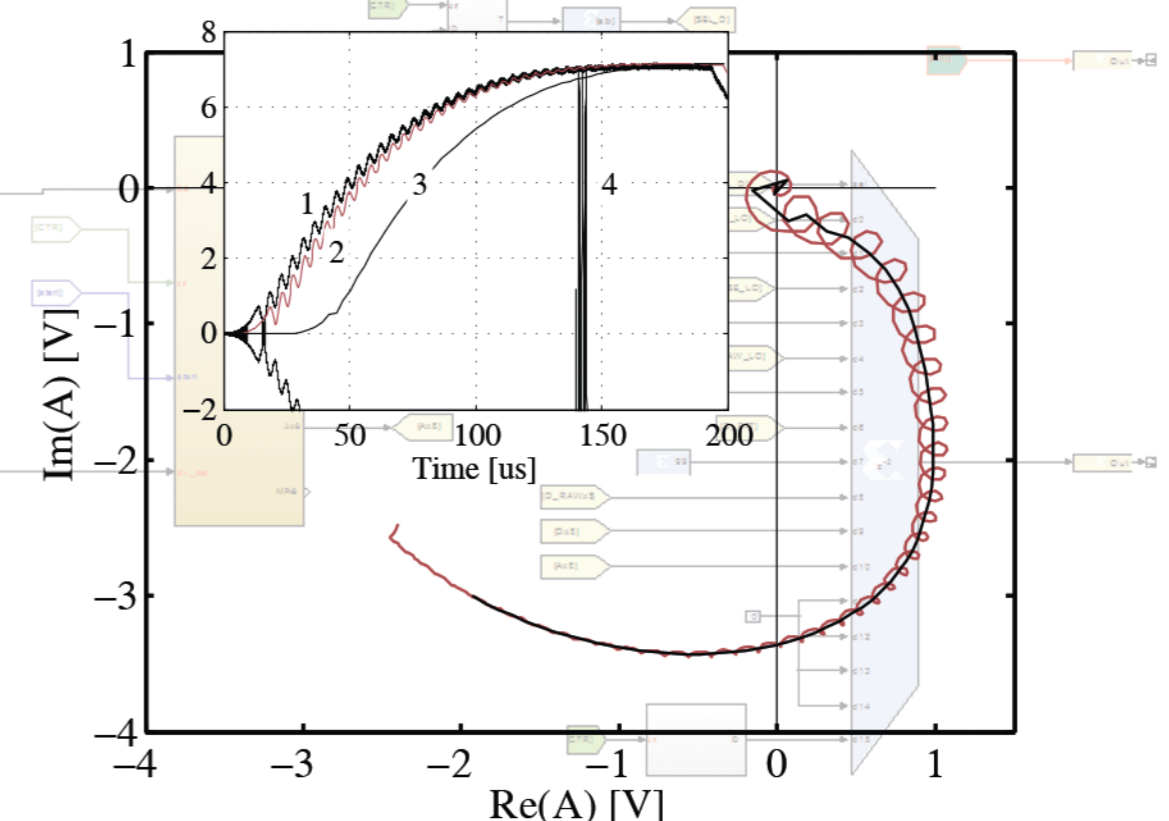


Example of an eight-channel signal processing module: the real-time branch continuously converts the ADC data stream to decimated complex amplitudes. A short-time raw data is available for postprocessing, for better performance the FFT may be executed in FPGA.

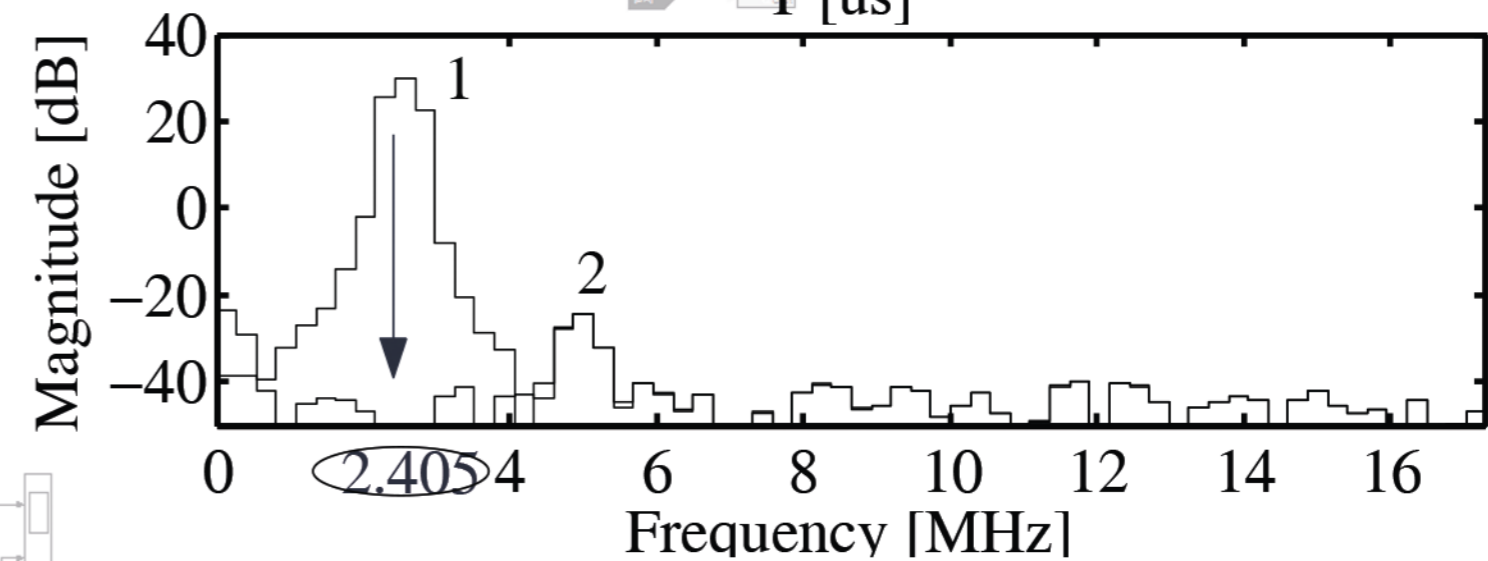
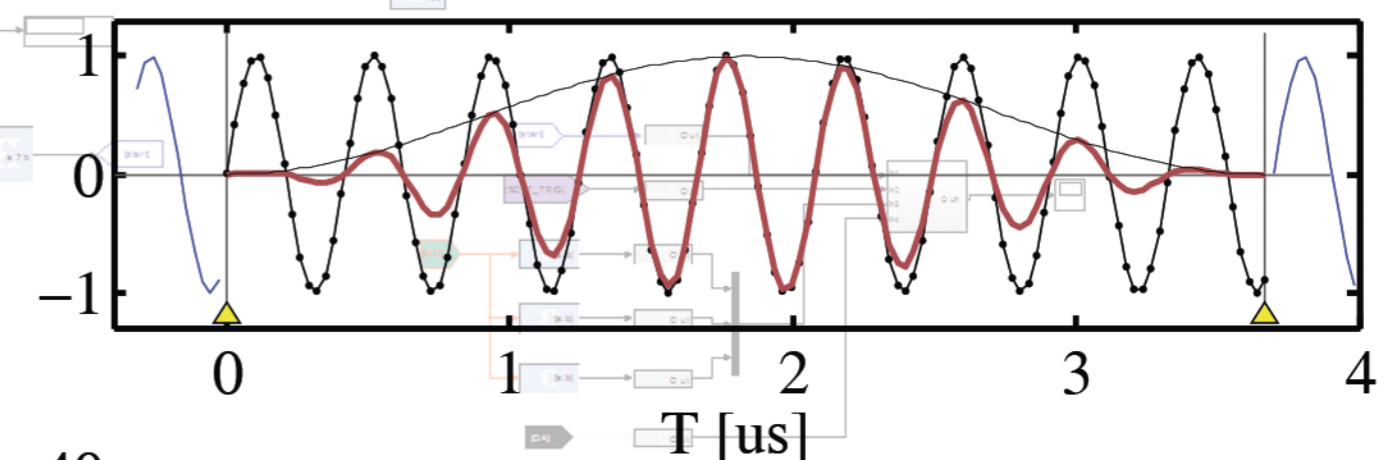


Synchronization of the novel RFQ to the existing self-excited RF system of mature drift tube linac.

The basic algorithm uses complex amplitudes for signal representation.



1- reference signal, 2,3-data filtered by wide/narrow band filter, 4-collecting the data for limited time extra-wideband analysis.



Parametric and non-parametric methods use a buffered raw data for most delicate data processing.



Assembled LLRF module for RF beam deflector includes two-channel signal generator, two multichannel RF vector detector modules and plunger position control electronics.