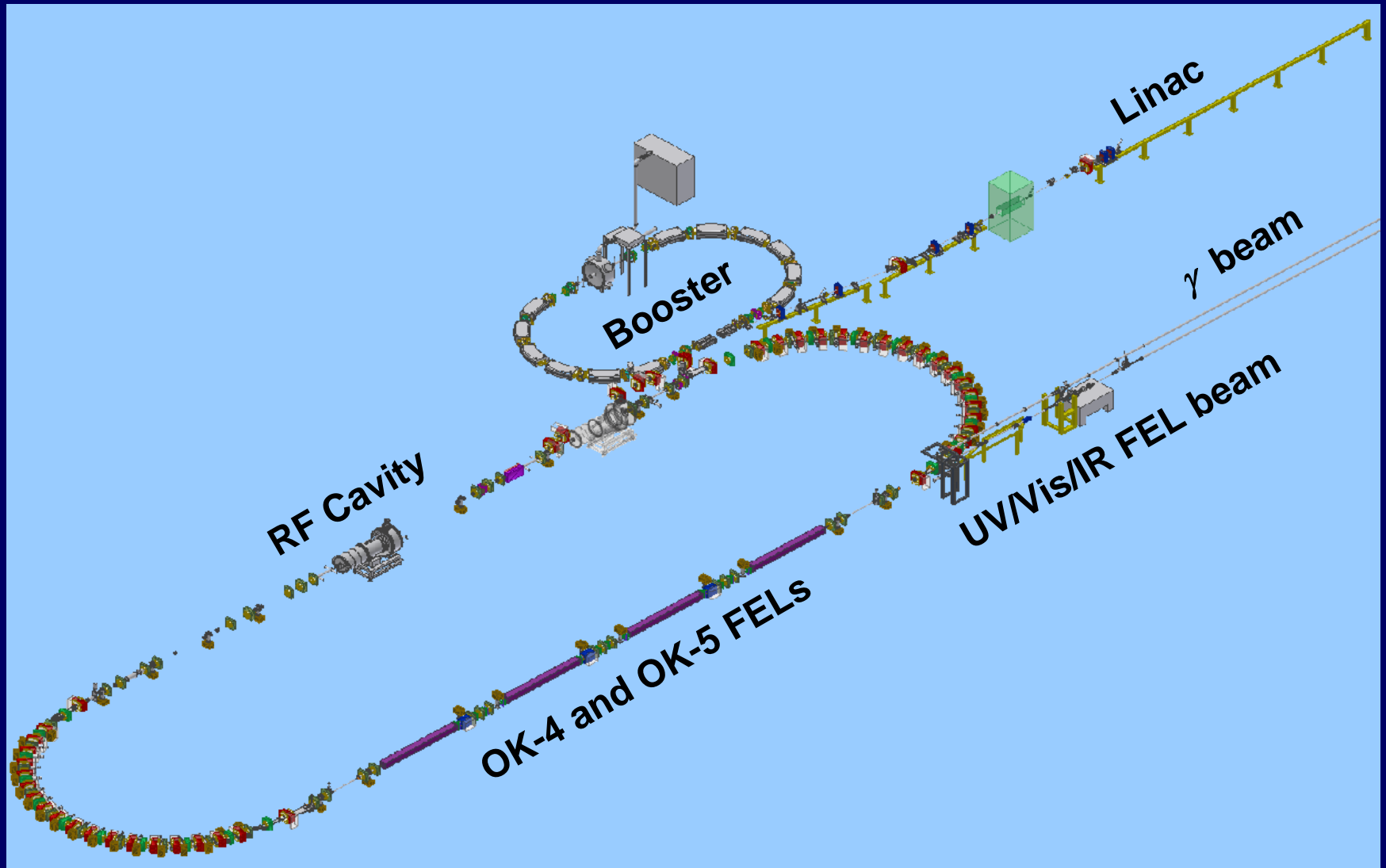


Injection, Ramping and Extraction Timing for the Duke Booster

S. M. Hartman, S. Mikhailov, V. Popov, Y. K. Wu, G. Kurkin
Duke Free Electron Laser Laboratory

ICALEPCS October 18, 2007
Knoxville, TN

Background: The DFELL Facility

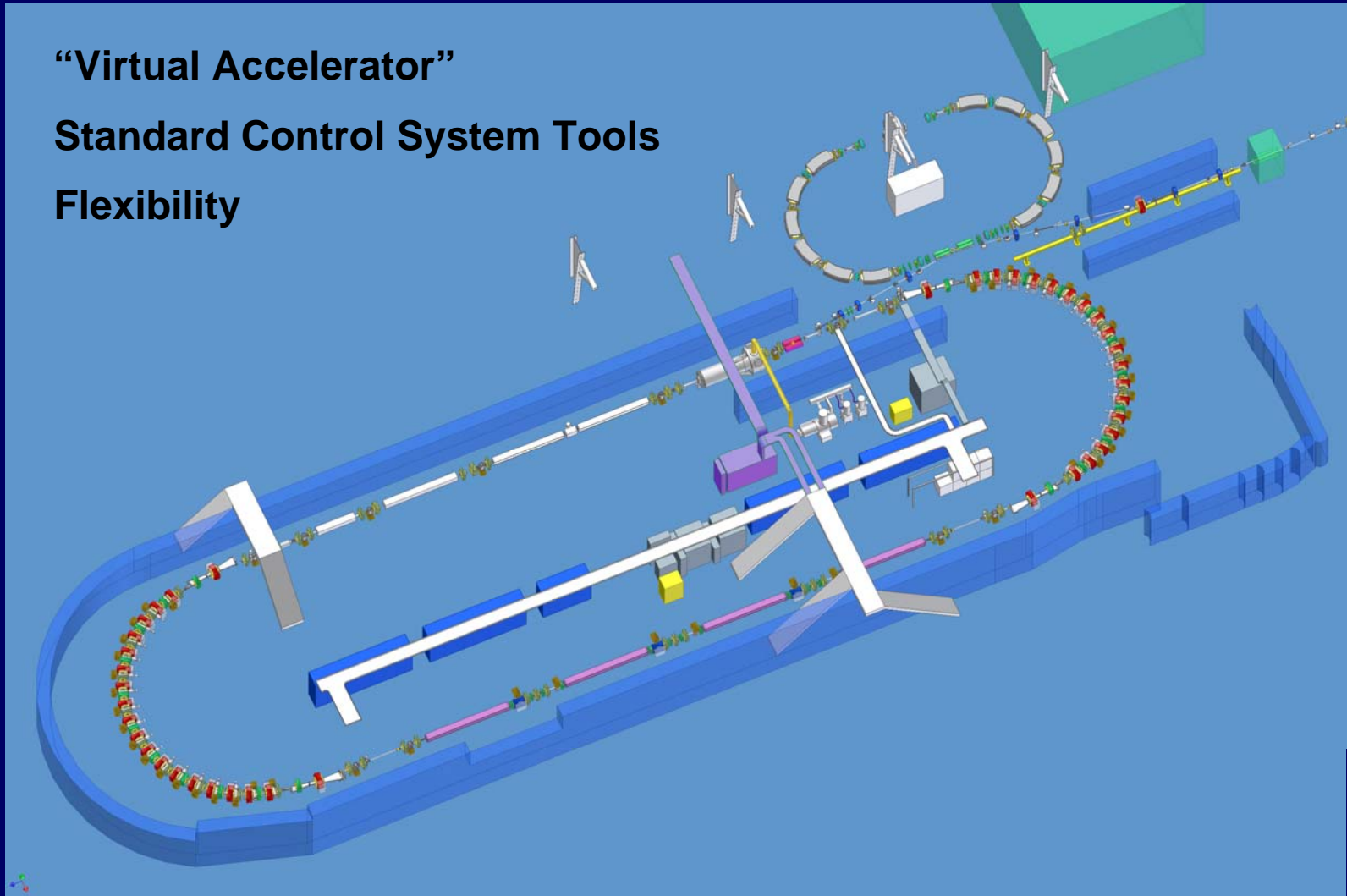


Background: The DFELL Control System

“Virtual Accelerator”

Standard Control System Tools

Flexibility



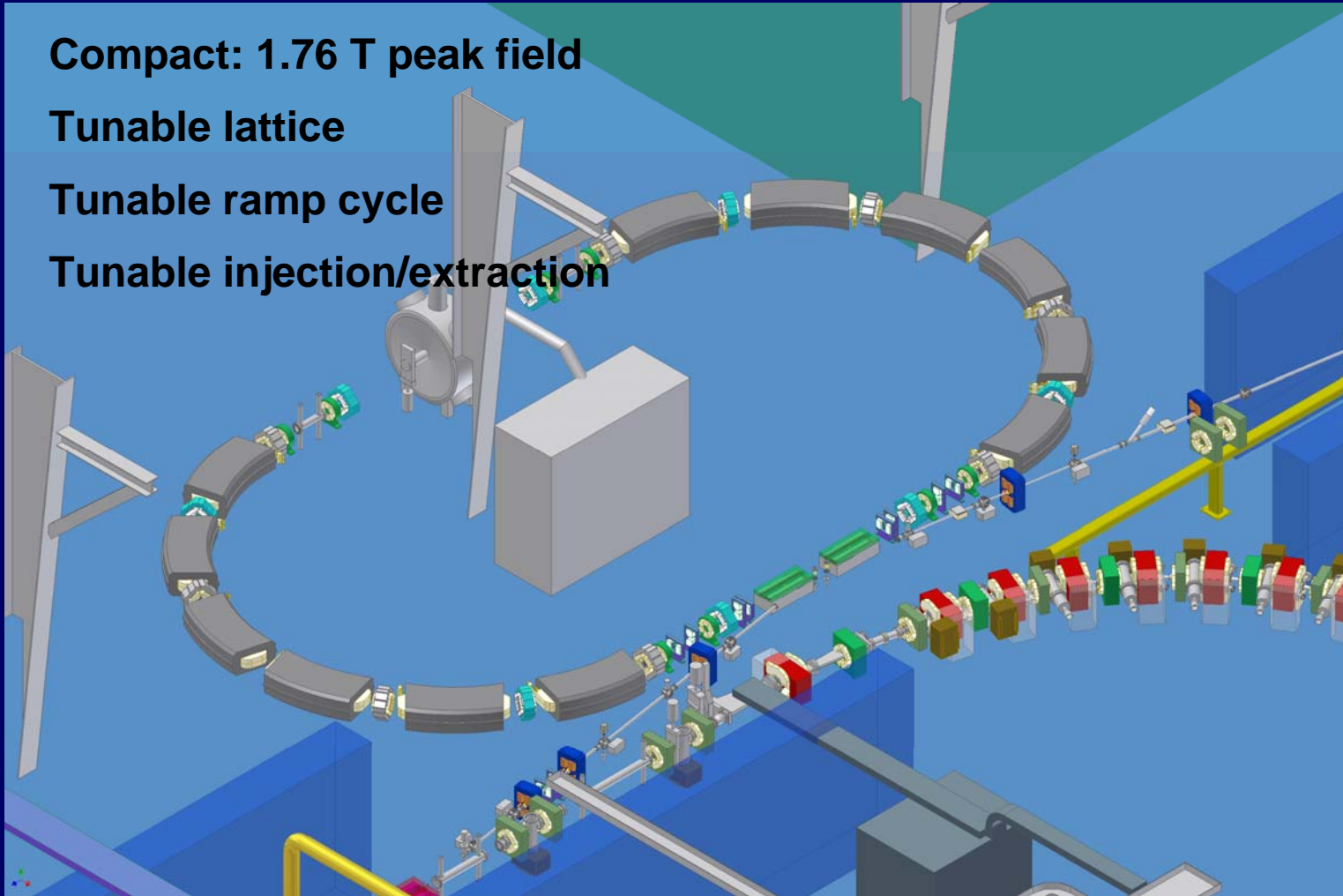
Booster Synchrotron

Compact: 1.76 T peak field

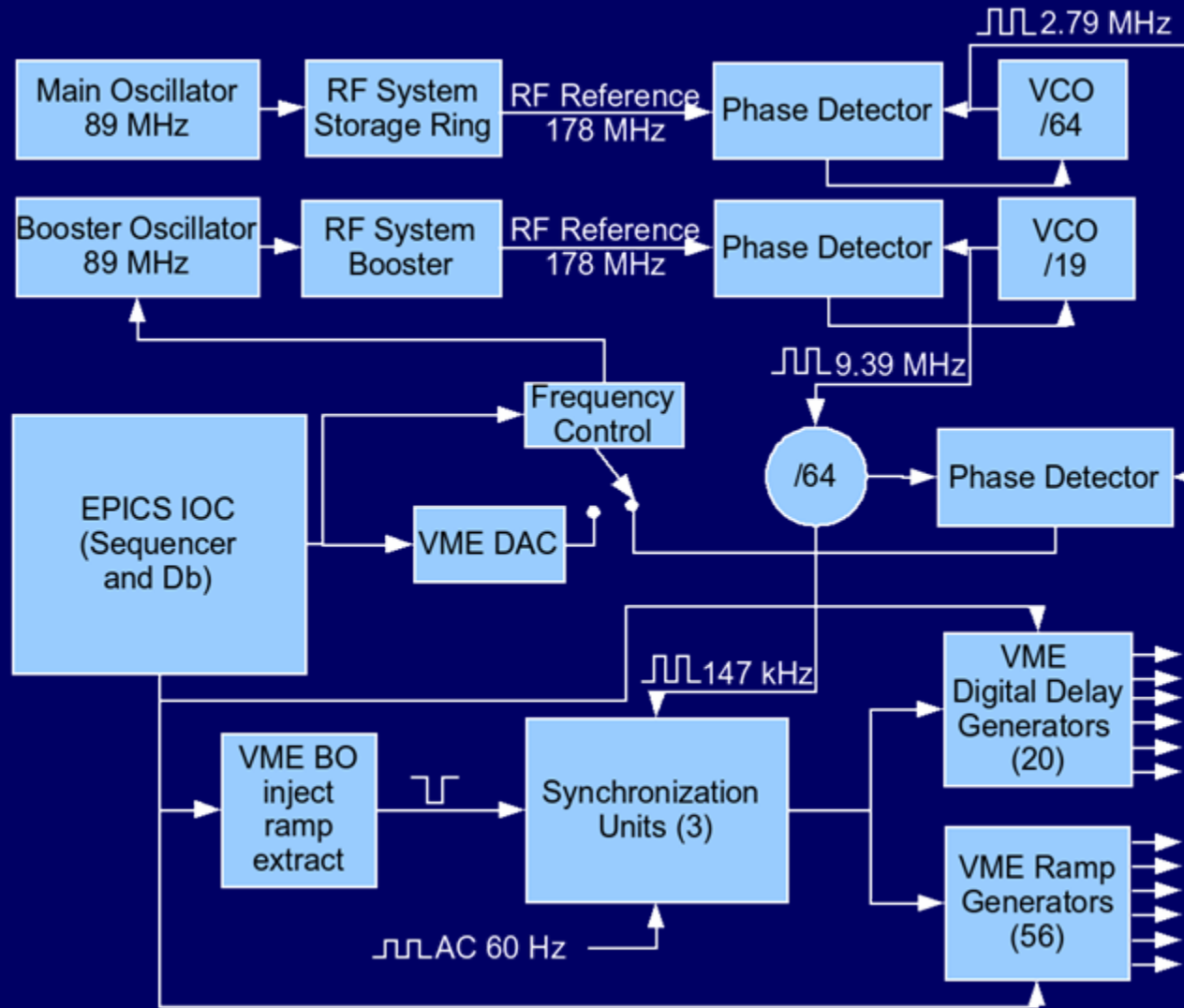
Tunable lattice

Tunable ramp cycle

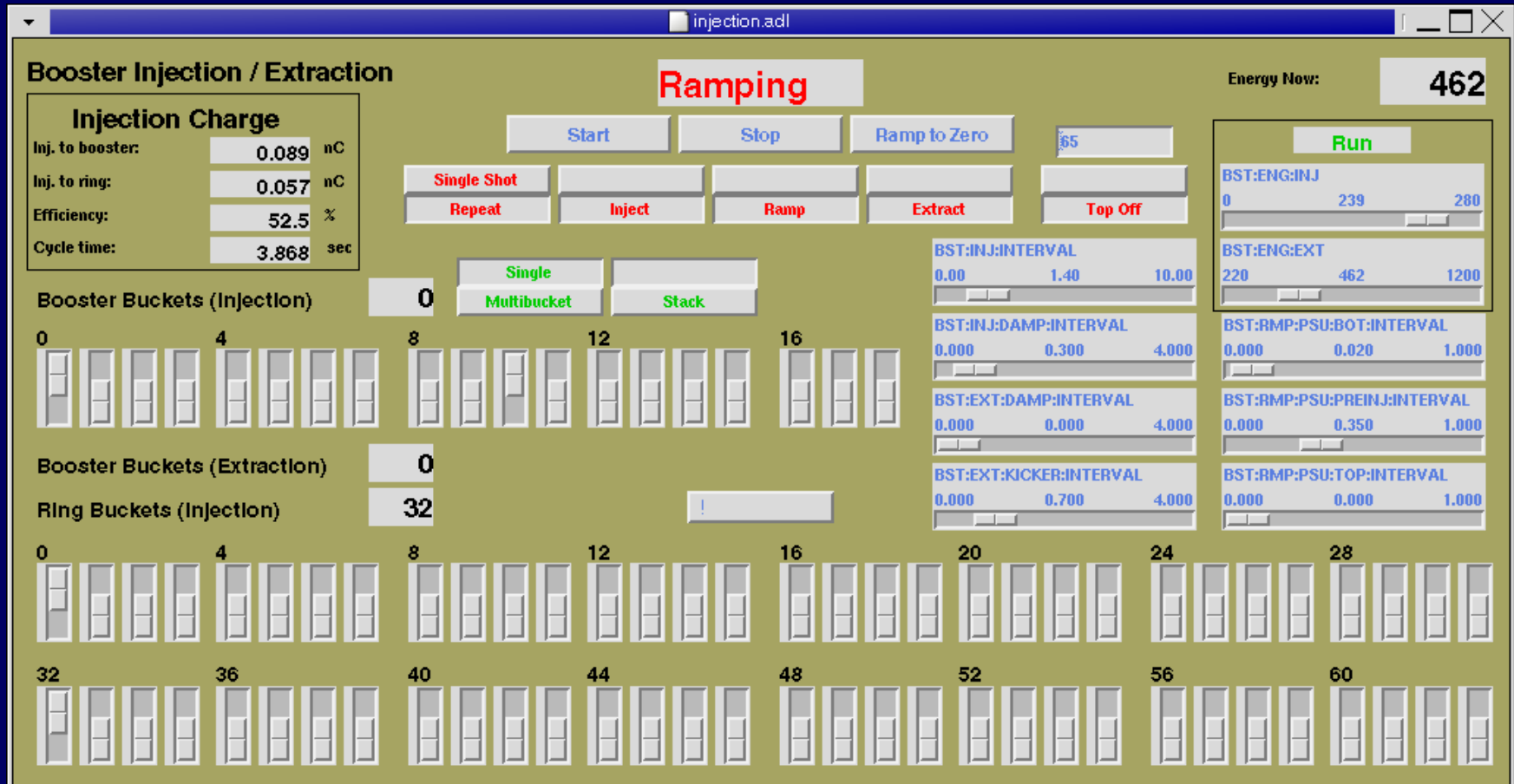
Tunable injection/extraction



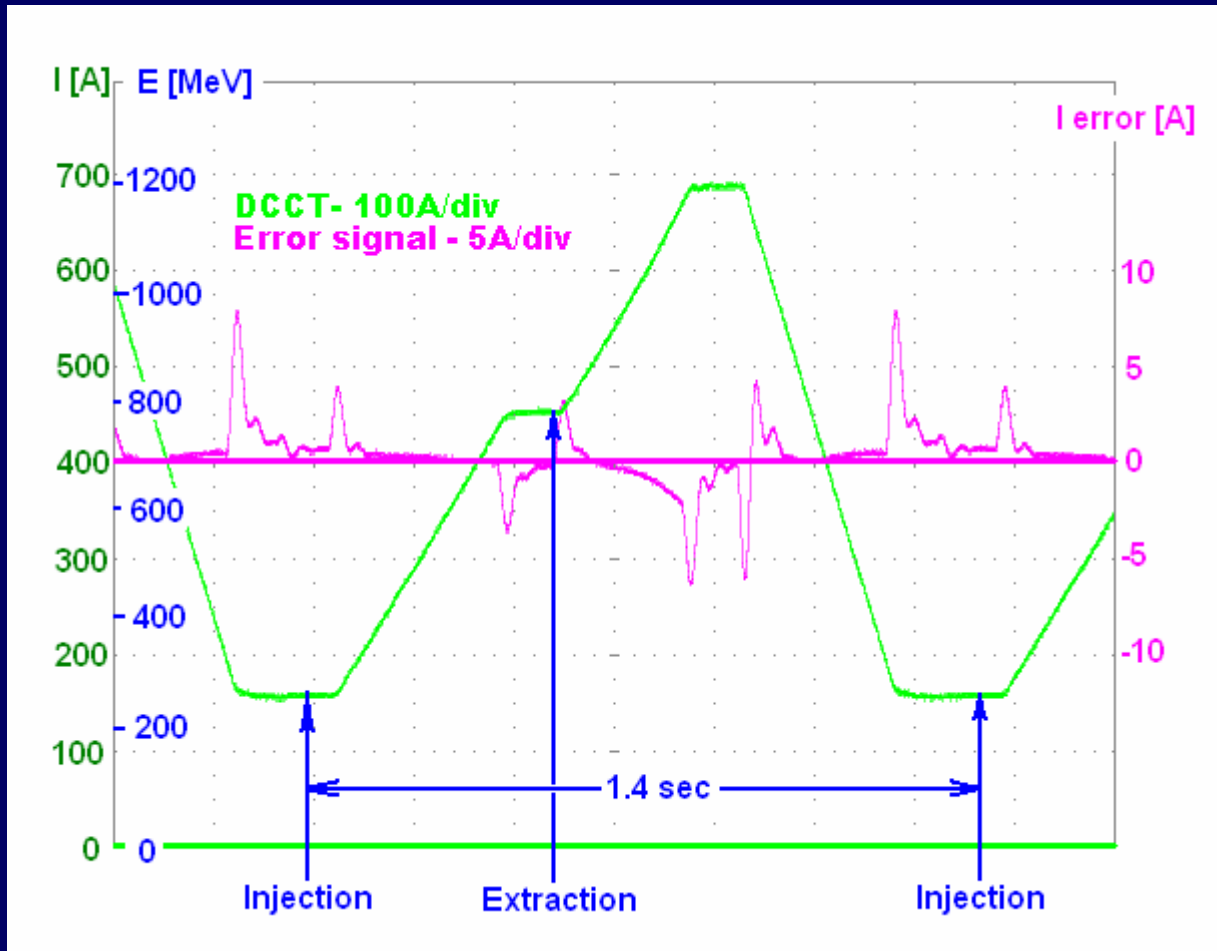
Timing System: Low Level



Timing System: High Level Interface



Booster Ramping Cycle



Top-Off Injection

