

First results of the CRFQ proof of principle

(Circular RadioFrequency Quadrupole)

Daniele Davino

davino@unisannio.it

Department of Engineering
University of Sannio, Benevento, Italy

CRFQ Collaboration team

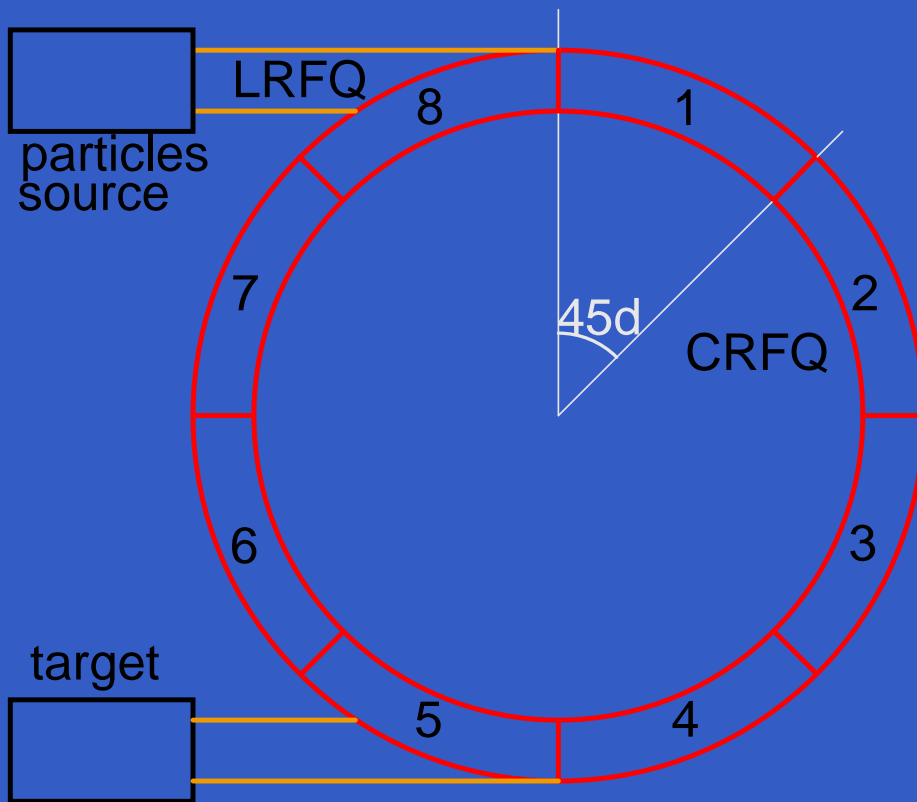


- Daniele Davino, University of Sannio
- Luigi Campajola, Vittorio G. Vaccaro, Physics dept., University of Napoli
- Maria Rosaria Masullo, INFN
- Alessandro G. Ruggiero, Vincent Lo Destro, Brookhaven National Laboratory
- **Advisors:** Maurizio Vretenar (CERN), Augusto Lombardi (LNL, Italy).

Outline

- What is the CRFQ?
- RF & mechanical design
- Linear RFQ measurements
- Conclusions and foreseen

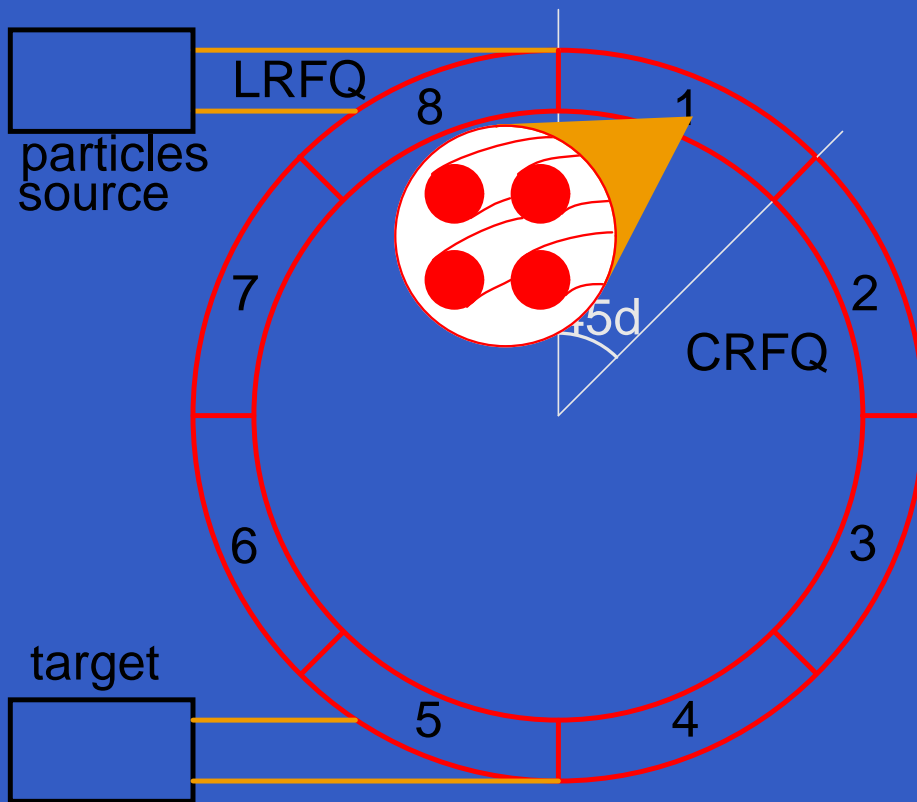
The CRFQ



- RadioFrequency quadrupole completely bent on a circle

A. Ruggiero, BNL-AP-65 note, 2001, available at <http://www.bnl.gov>

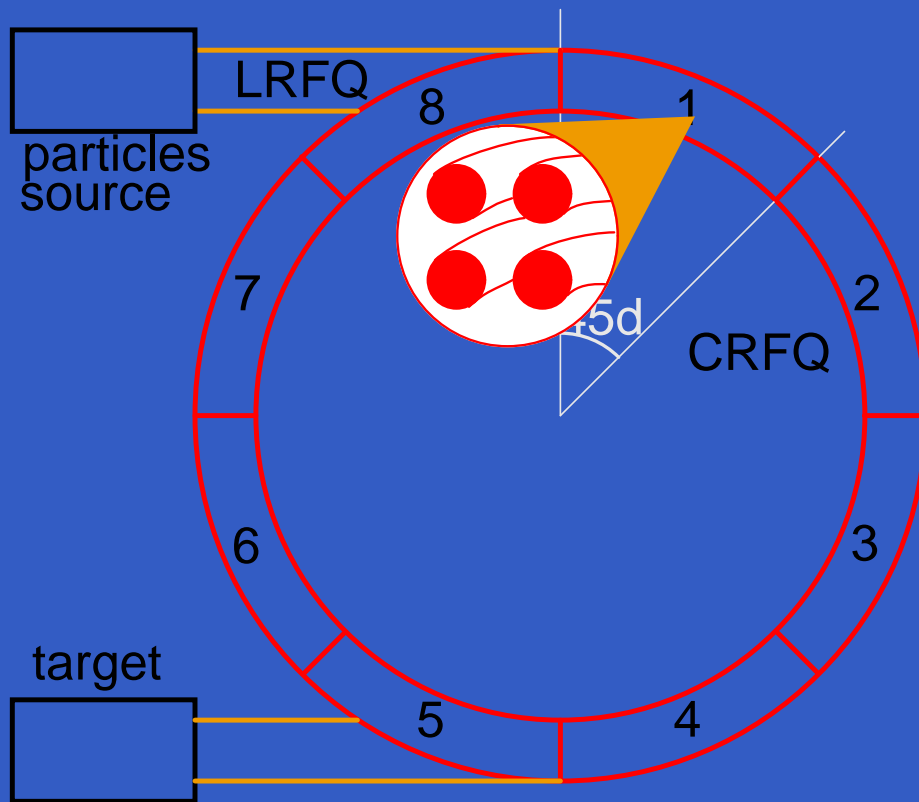
The CRFQ



- RadioFrequency quadrupole completely bent on a circle
- higher beam intensity, smaller beam dimensions

A. Ruggiero, BNL-AP-65 note, 2001, available at <http://www.bnl.gov>

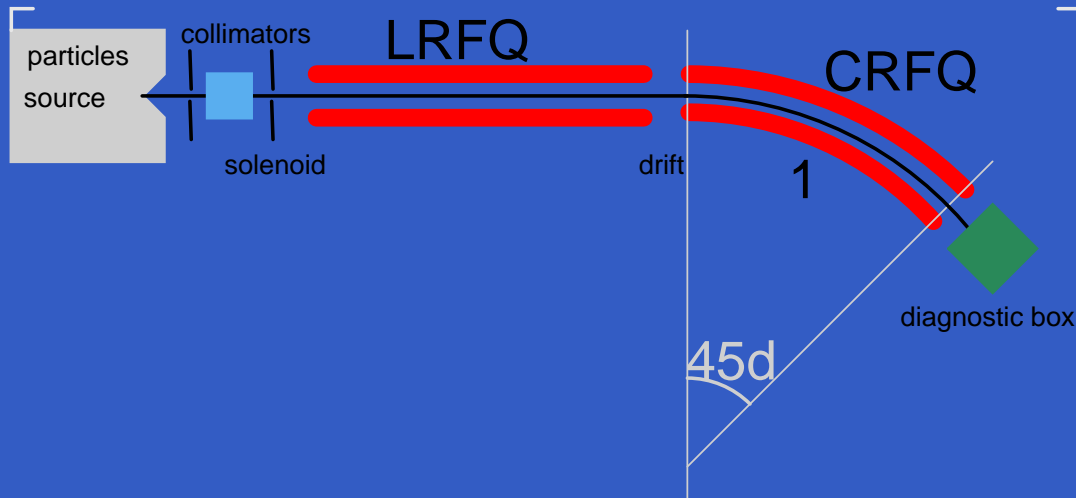
The CRFQ



- RadioFrequency quadrupole completely bent on a circle
- higher beam intensity, smaller beam dimensions
- never tested before \Rightarrow proof of principle!

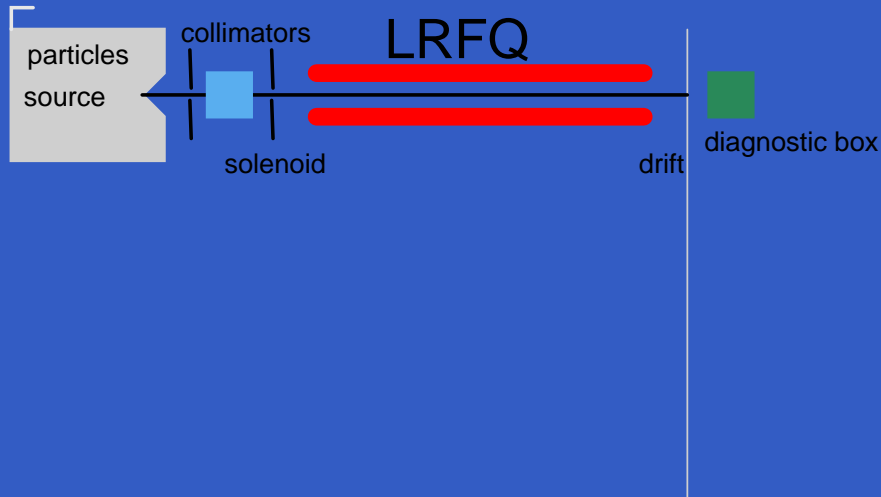
A. Ruggiero, BNL-AP-65 note, 2001, available at <http://www.bnl.gov>

Aim of the CRFQ collaboration



- Made at *Laboratorio dell'Acceleratore*, University of Naples, Italy.
- Development of a 1mA proton source (40keV max energy).
- Design, build and test of a linear prototype to prove RF solutions & beam matching. No rods modulation.
- Design, build and test of a 45d sector to prove bending and focusing principle.
- Related items: beam diagnostics, low level RF, vacuum pumping, etc.

Aim of the CRFQ collaboration



- Made at *Laboratorio dell'Acceleratore*, University of Naples, Italy.
- Development of a 1mA proton source (40keV max energy).
- Design, build and test of a linear prototype to prove RF solutions & beam matching. No rods modulation.
- Design, build and test of a 45d sector to prove bending and focusing principle.
- Related items: beam diagnostics, low level RF, vacuum pumping, etc.

Beam Parameters

Rods radius (4-rods RFQ)	5mm
Gap radius	5mm
Electrodes length	707mm
Input energy	30keV
Beam current	1mA
Transverse emittance	20π mm mrad
Longitudinal electric field distribution	$<\pm 5\%$
Dipole mode error	$<\pm 2\%$

RF Parameters

- RF power amplifier

f [MHz]	202.56
Power	<20 kW
Duty cycle	0.2%
Rods voltage	36 kV
Field flatness	< $\pm 5\%$
Transverse Rsh	>73 k Ω m

RF Parameters

- RF power amplifier \Rightarrow
RF frequency and duty
cycle,

f [MHz]	202.56
Power	<20 kW
Duty cycle	0.2%
Rods voltage	36 kV
Field flatness	< $\pm 5\%$
Transverse Rsh	>73 k Ω m

RF Parameters

- RF power amplifier \Rightarrow
RF frequency and duty
cycle,
- proton beam dynamic
 \Rightarrow rods voltage, field
flatness,

f [MHz]	202.56
Power	<20 kW
Duty cycle	0.2%
Rods voltage	36 kV
Field flatness	< $\pm 5\%$
Transverse Rsh	>73 k Ω m

RF Parameters

- RF power amplifier \Rightarrow
RF frequency and duty cycle,
- proton beam dynamic
 \Rightarrow rods voltage, field flatness,
- dissipated power: \Rightarrow
transverse shunt impedance minimum

f [MHz]	202.56
Power	<20 kW
Duty cycle	0.2%
Rods voltage	36 kV
Field flatness	< $\pm 5\%$
Transverse Rsh	>73 k Ω m

RF Parameters

- RF power amplifier \Rightarrow
RF frequency and duty cycle,
- proton beam dynamic \Rightarrow rods voltage, field flatness,
- dissipated power: \Rightarrow transverse shunt impedance minimum
- average dissipated power $< 100\text{W}$

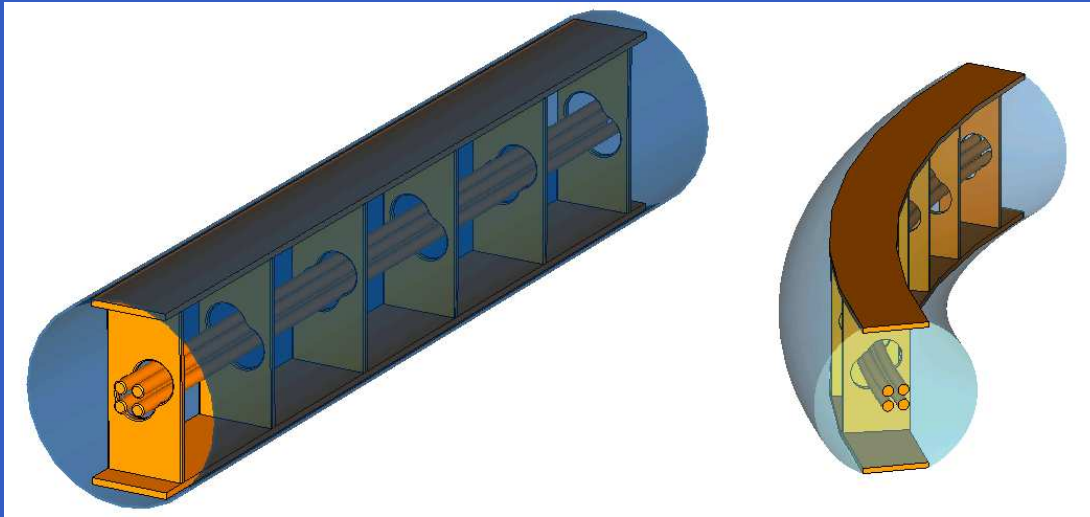
f [MHz]	202.56
Power	$< 20\text{ kW}$
Duty cycle	0.2%
Rods voltage	36 kV
Field flatness	$< \pm 5\%$
Transverse Rsh	$> 73\text{ k}\Omega\text{m}$

RF Parameters

- RF power amplifier \Rightarrow RF frequency and duty cycle,
- proton beam dynamic \Rightarrow rods voltage, field flatness,
- dissipated power: \Rightarrow transverse shunt impedance minimum
- average dissipated power $< 100\text{W}$ \Rightarrow no water cooling

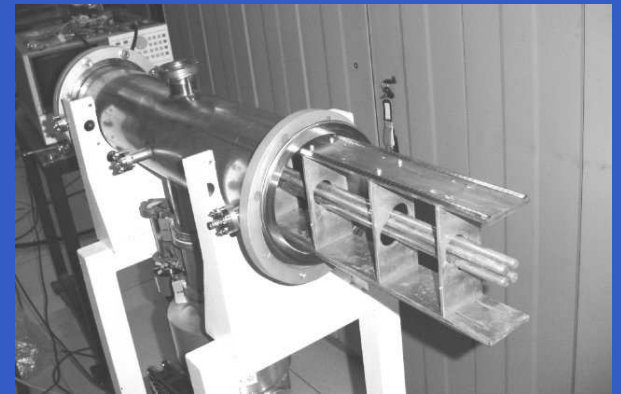
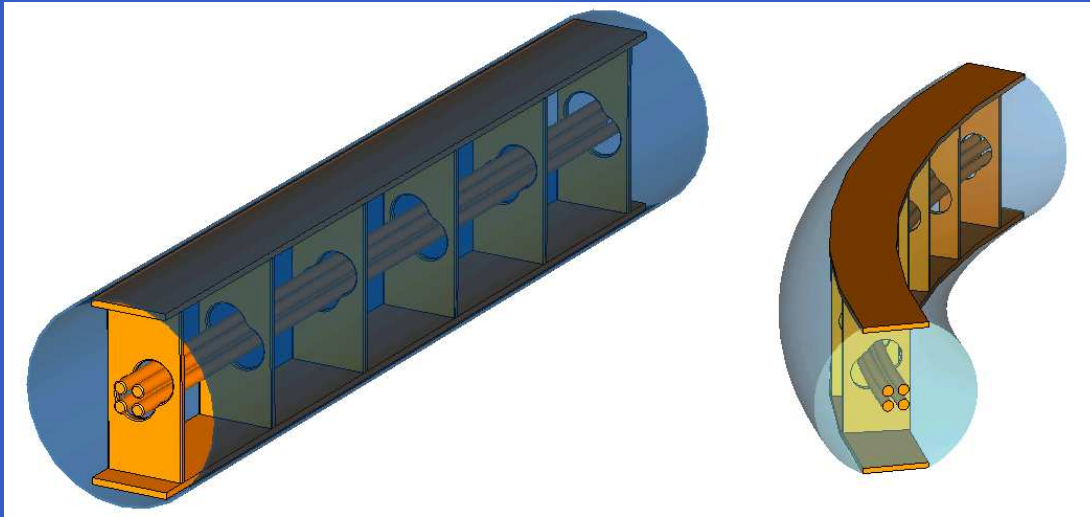
f [MHz]	202.56
Power	$< 20\text{ kW}$
Duty cycle	0.2%
Rods voltage	36 kV
Field flatness	$< \pm 5\%$
Transverse Rsh	$> 73\text{ k}\Omega\text{m}$

LRFQ & CRFQ design

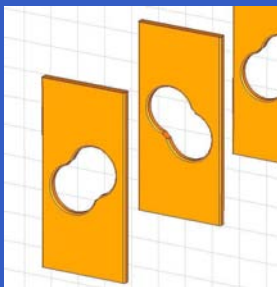


The simplicity of construction, assembling and alignment of the curved sector has been used as the most important property

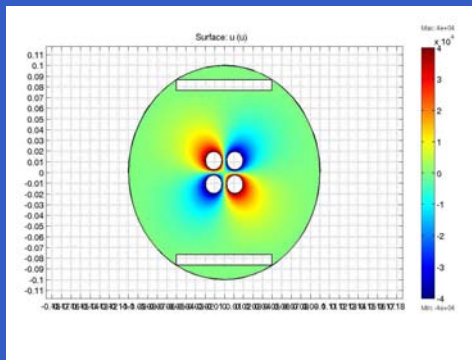
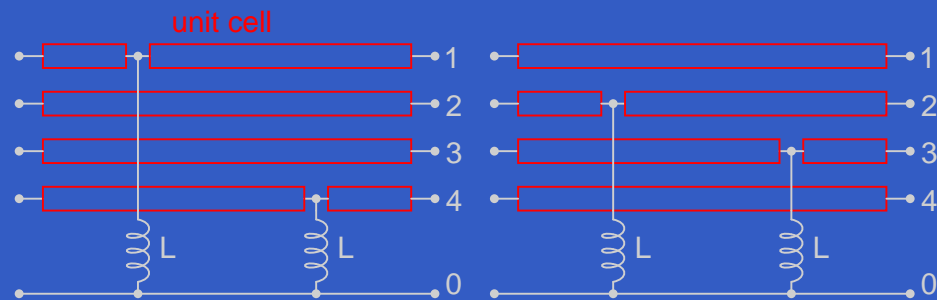
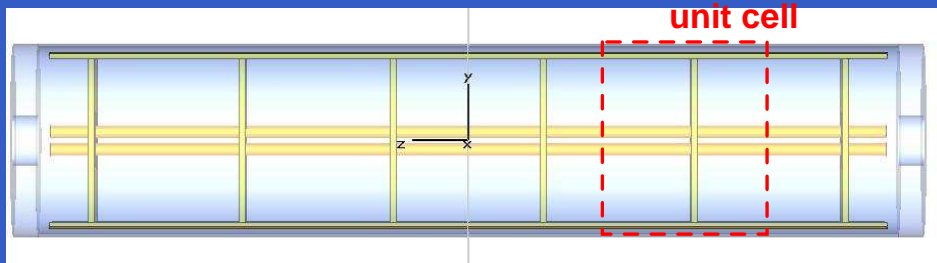
LRFQ & CRFQ design



Electromagnetic field simulator (CST microwave studio): shapes optimization, quality factor , transverse shunt impedance, etc.



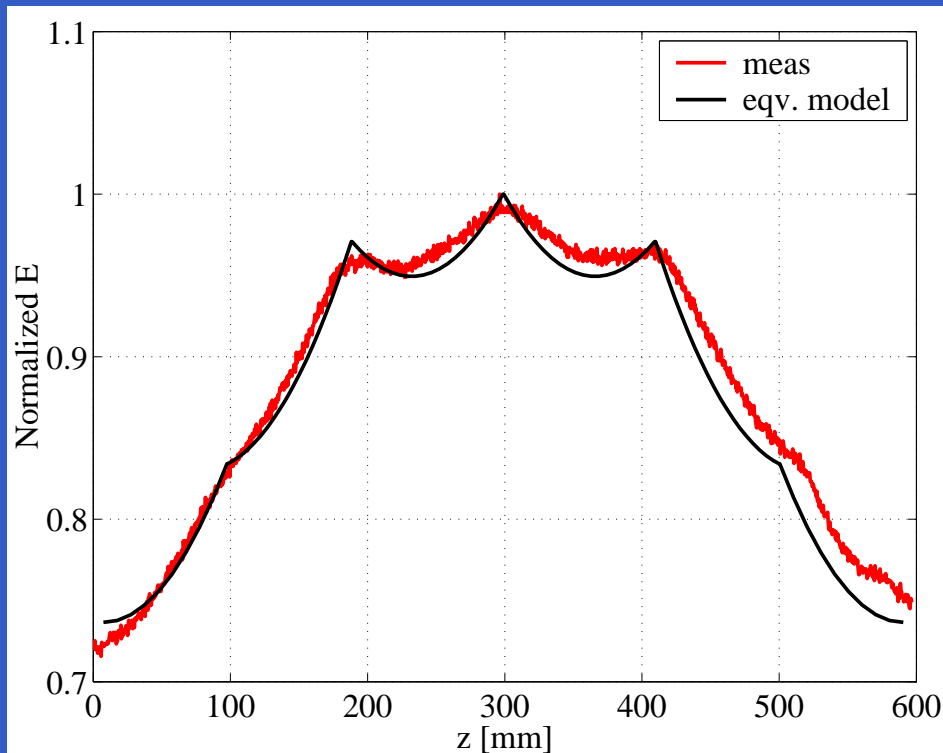
Equivalent model



- Multiconductors transmission lines 1D model \Rightarrow longitudinal electric field distribution, dipoles errors, etc

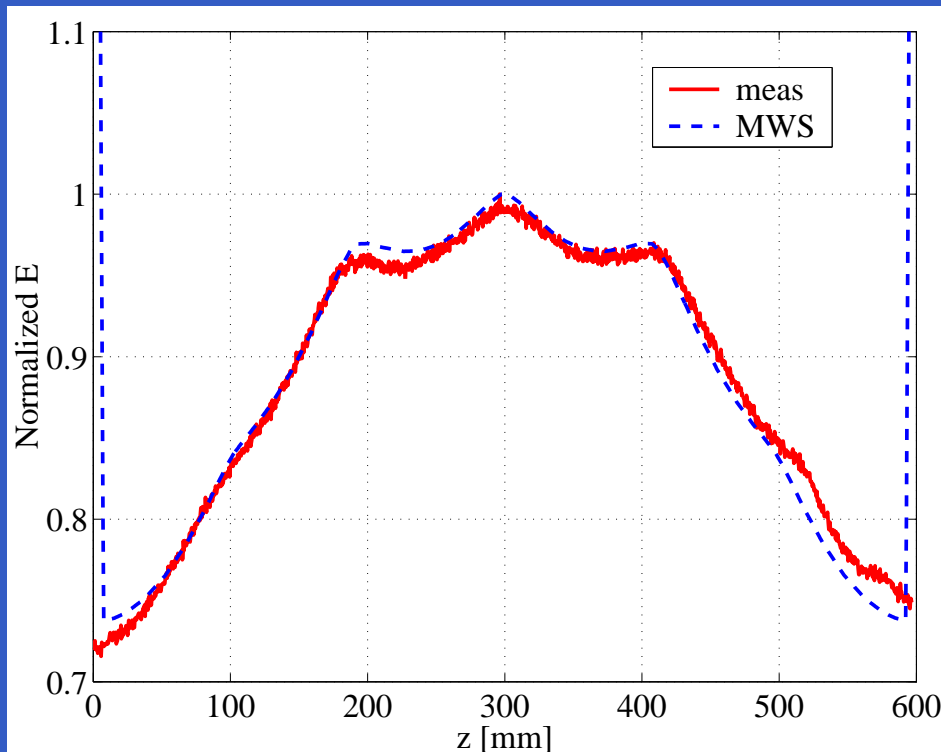
V. Kapin, EPAC84, London, pp. 2191-2193

Equivalent model



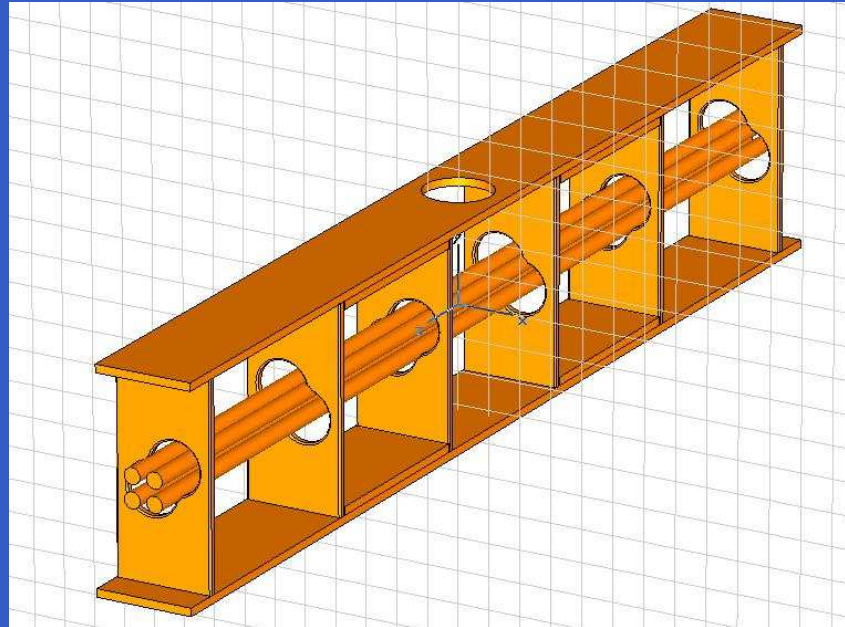
- Multiconductors transmission lines 1D model \Rightarrow longitudinal electric field distribution, dipoles errors, etc
- good agreement with experimental bead pulling (cold model)

Equivalent model



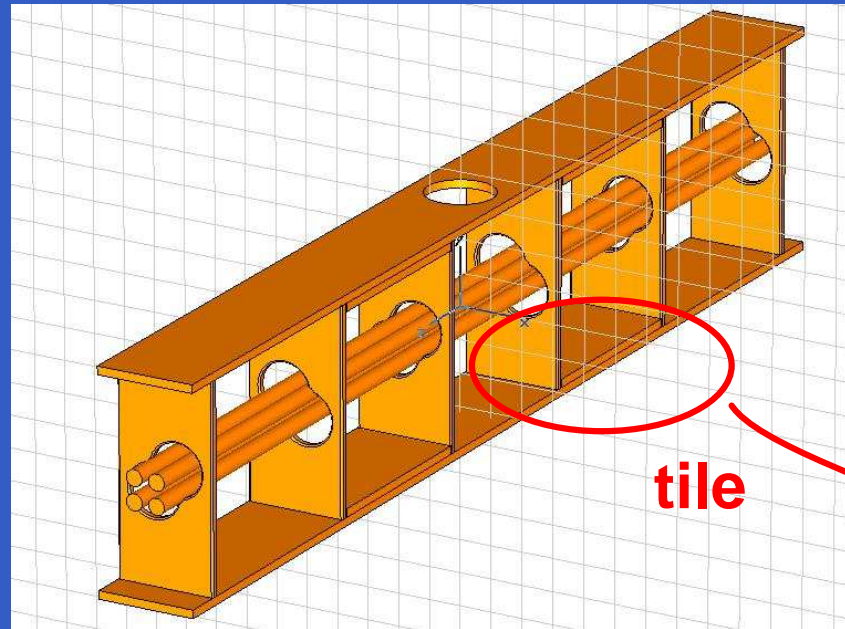
- Multiconductors transmission lines 1D model \Rightarrow longitudinal electric field distribution, dipoles errors, etc
- good agreement with experimental bead pulling (cold model)
- good agreement with numerical simulations (CST microwave studio)

Construction details



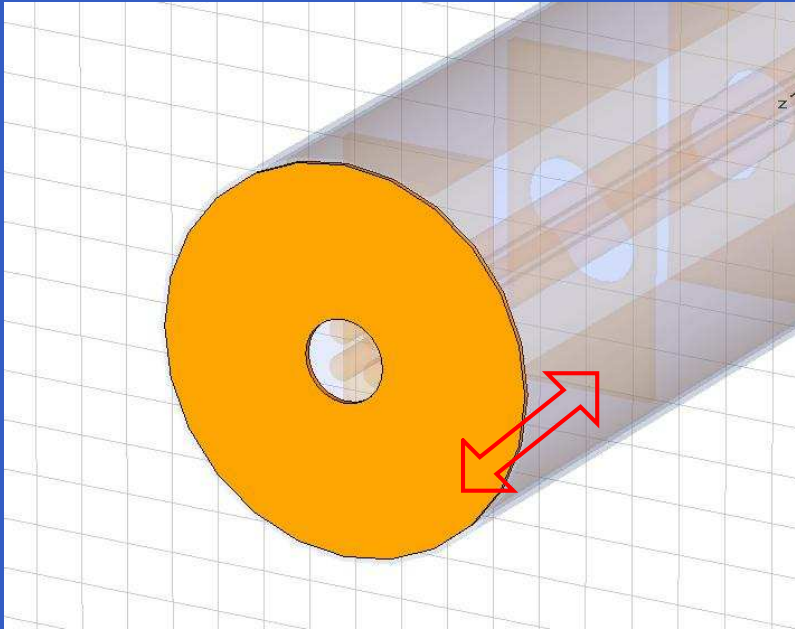
- Six stems, center hole for power coupler, copper tiles for resonant frequency tuning

Construction details



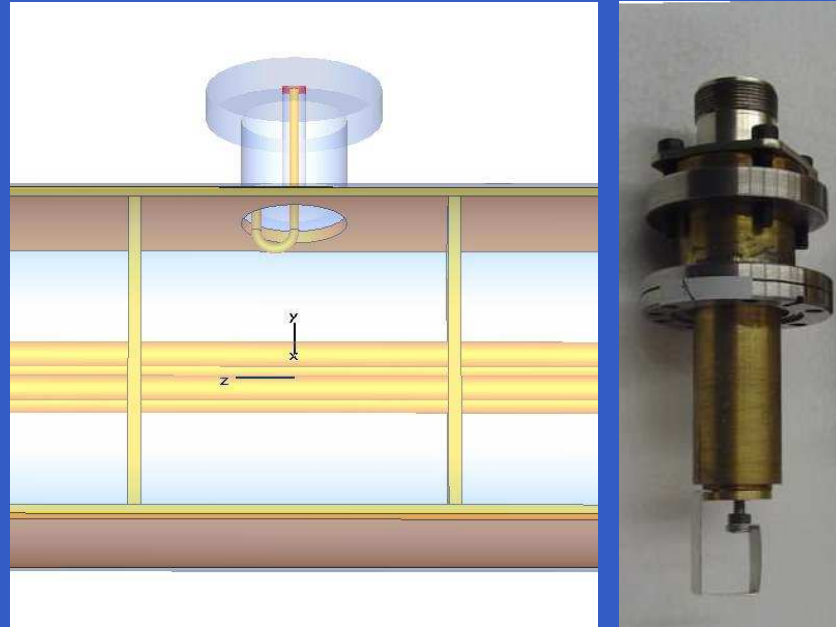
- Six stems, center hole for power coupler, copper tiles for resonant frequency tuning

Construction details



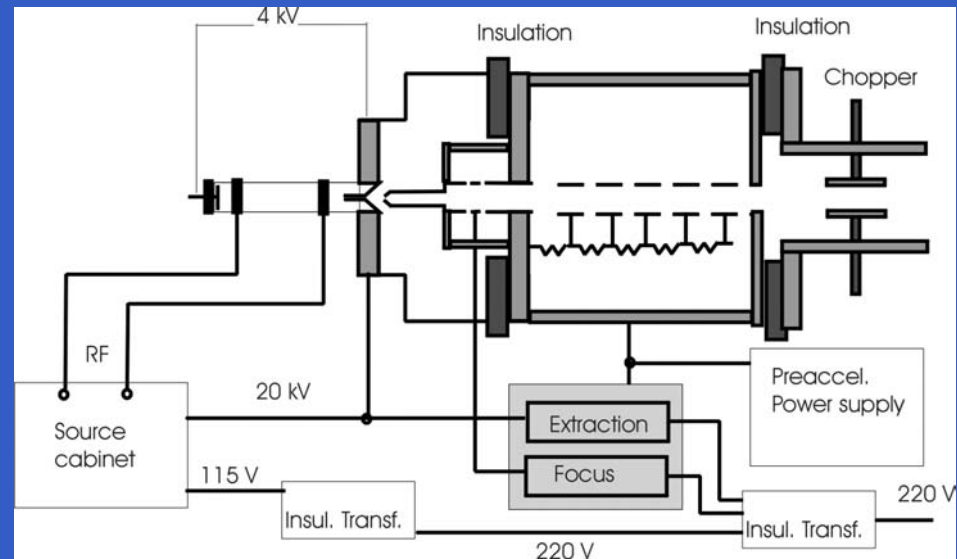
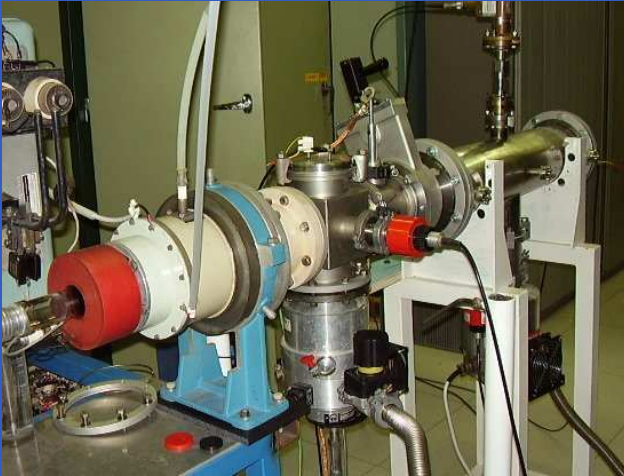
- End disks for fine tuning (within few kHz) and electromagnetic shielding

Construction details



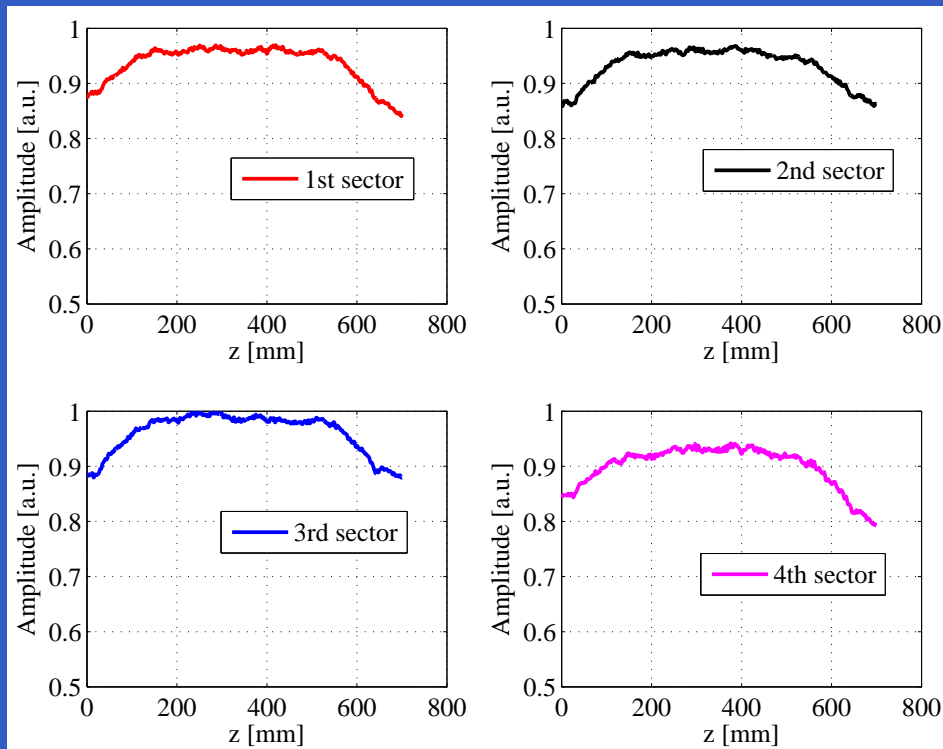
- The RF coupler can rotate (the critical coupling is obtained by a low power network analyzer measurement)

Upgrade of the RF proton source



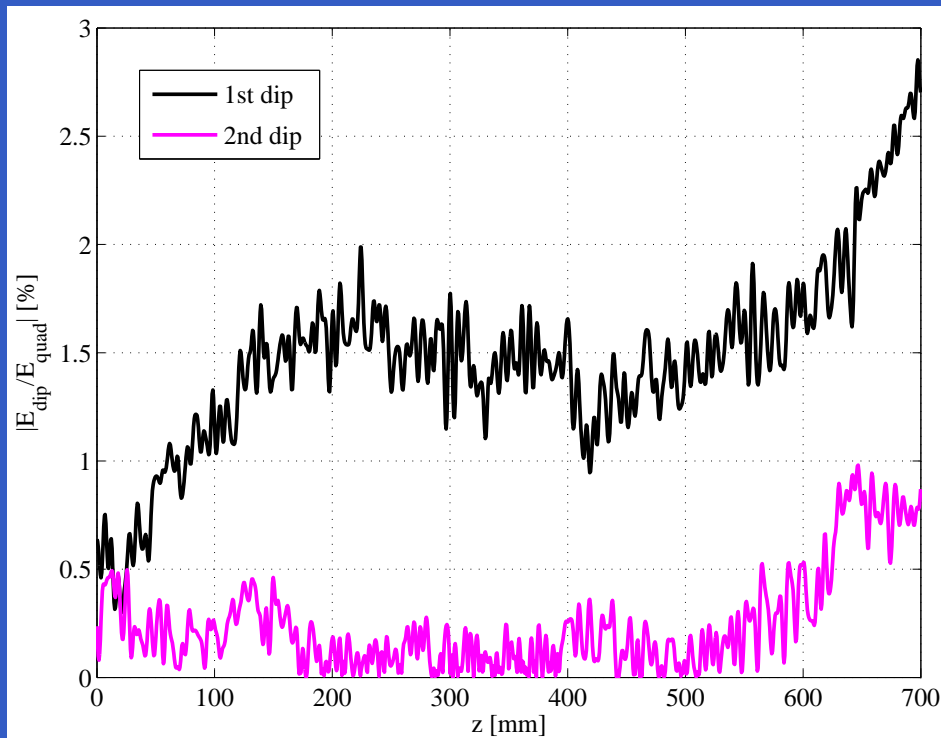
- 1mA beam available
- Electrostatic acceleration stage added (40keV max)
- Beam emittance is within specifications (about $20\pi\text{mm}^*\text{mrad}$),

Bead pulling (hot model)



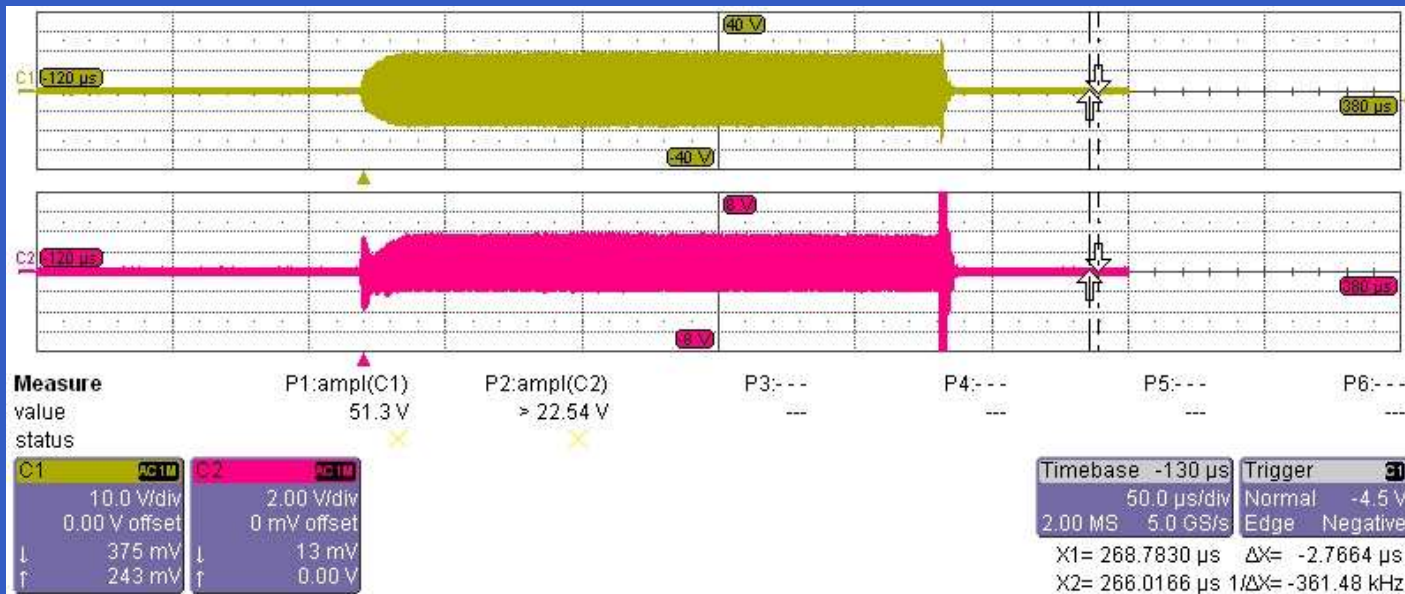
- Bead pulling allows to know the longitudinal electric field distribution
- Four rods \Rightarrow four sectors \Rightarrow the comparison of the four measurements allows to know the dipoles and the quadrupole mode.

Bead pulling (hot model)



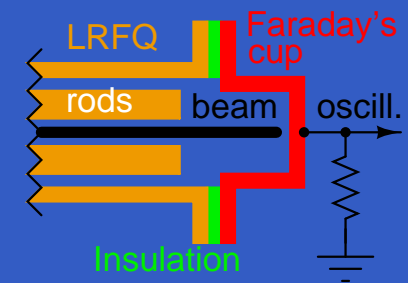
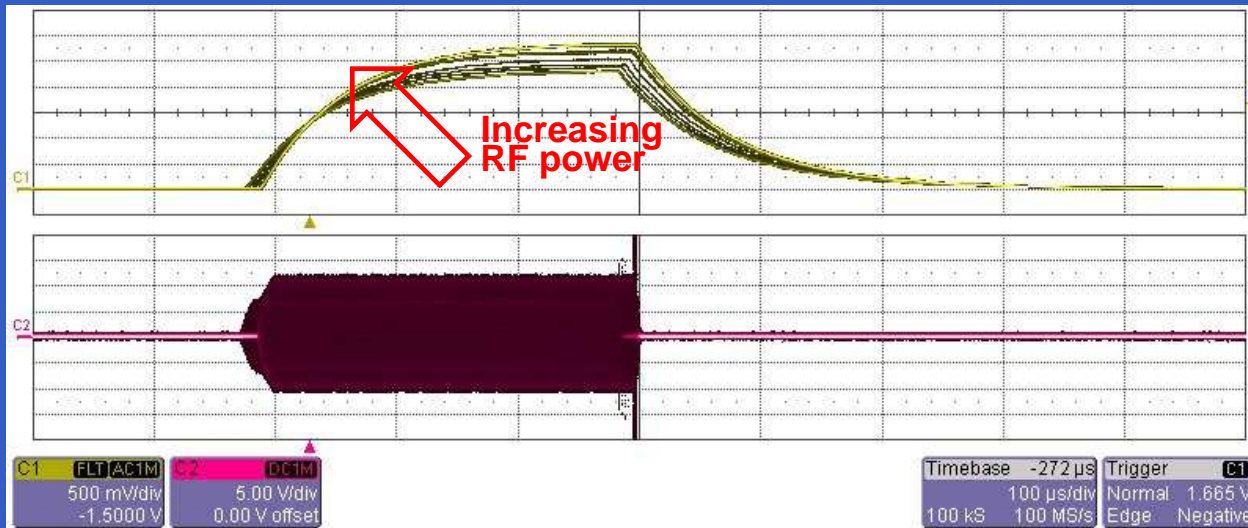
- Bead pulling allows to know the longitudinal electric field distribution
- Four rods \Rightarrow four sectors \Rightarrow the comparison of the four measurements allows to know the dipoles and the quadrupole mode.
- $\pm 1.5\%$ dipole

Vacuum & RF power tests



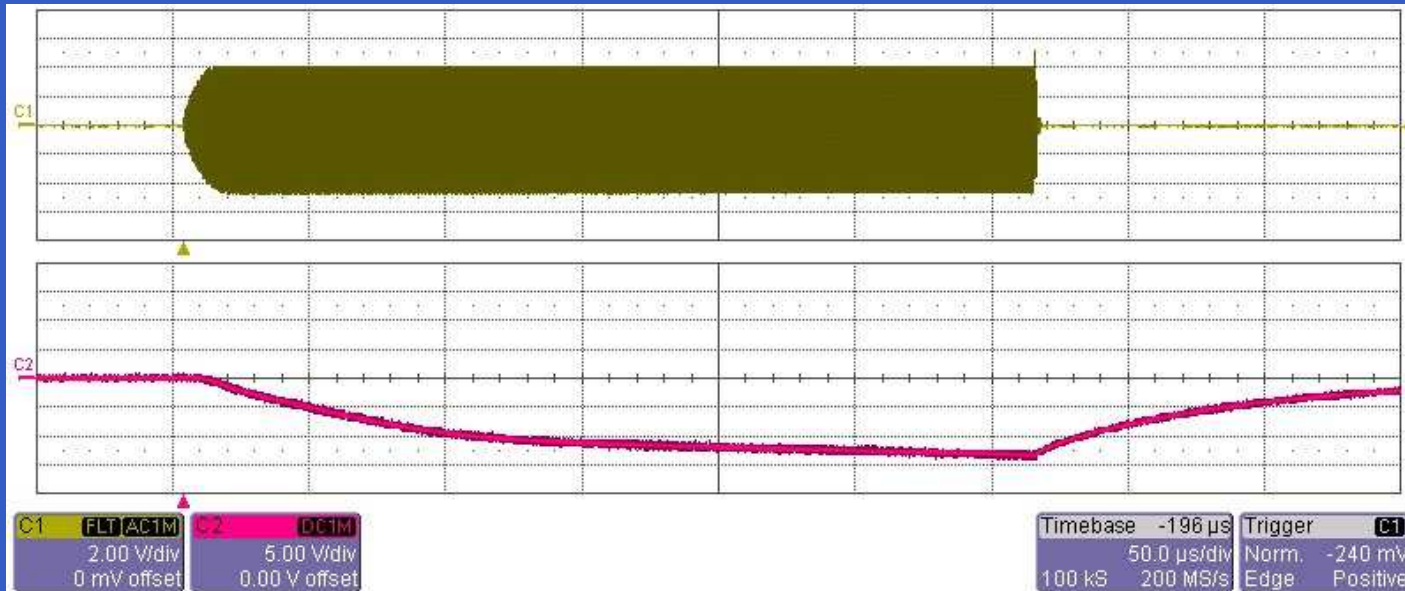
- Vacuum pressure: $2 \cdot 10^{-7}$ mbar with RF off (can be improved)
- $8 \cdot 10^{-7}$ mbar with 22kW (after conditioning)
- $1 \cdot 10^{-6}$ mbar with 22kW and proton beam
- RF max: 38kW

First beam tests



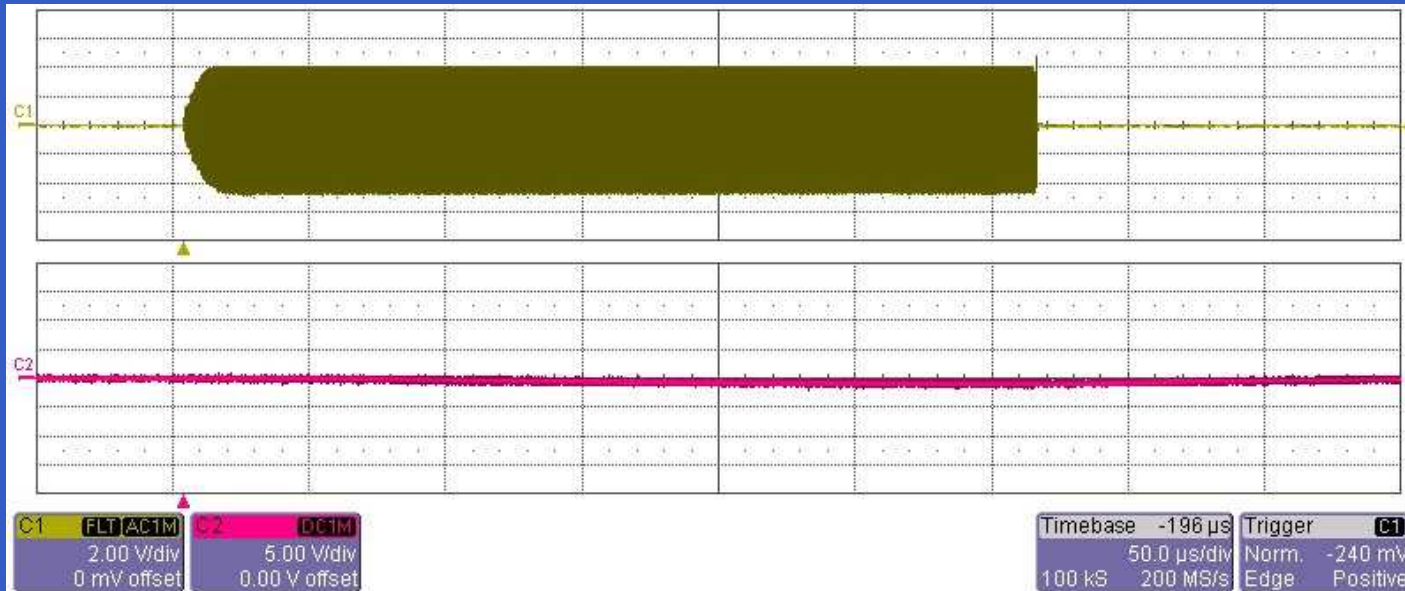
- Faraday's cup after the LRFQ
- Beam intensity signals (persistence option on the oscill.) vs. RF power (from 4.5kW to 15kW)
- Focusing effect present!

RF induced electrons



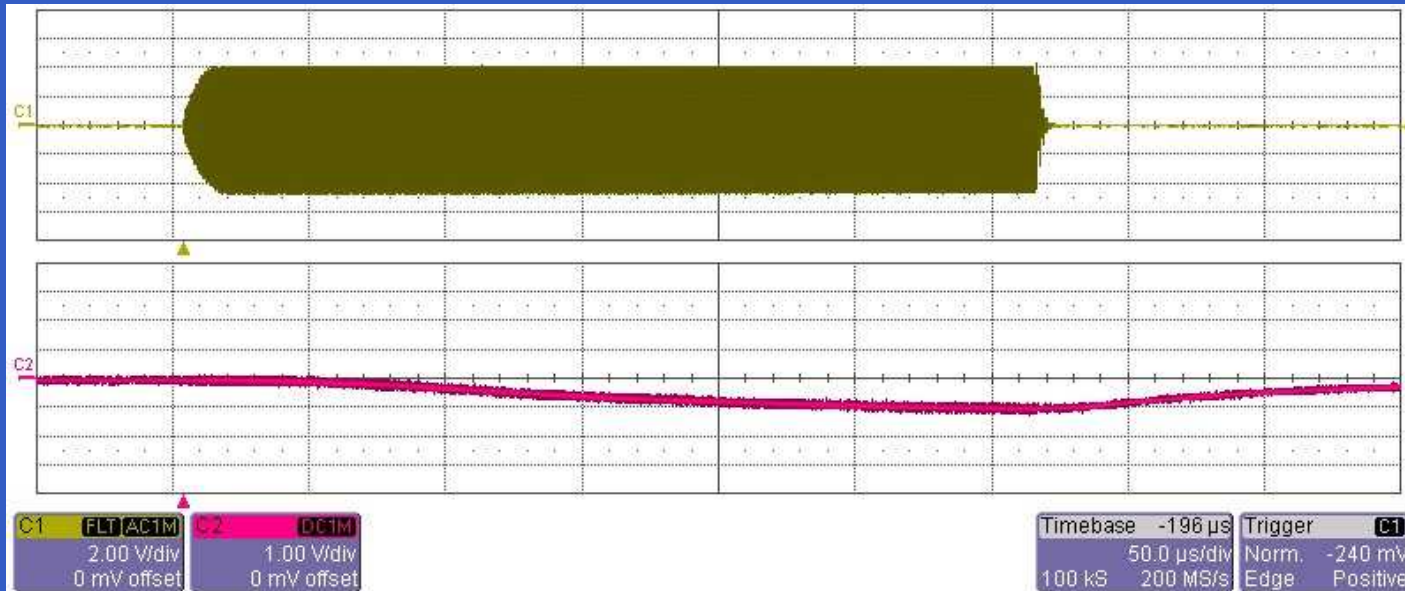
- RF power (28kW) produces electrons, caught by the faraday's cup.

RF induced electrons



- RF power (28kW) produces electrons, caught by the faraday's cup.
- a dc shield (700V) before the cup reduces the effect

RF induced electrons



- RF power (28kW) produces electrons, caught by the faraday's cup.
- a dc shield (700V) before the cup reduces the effect

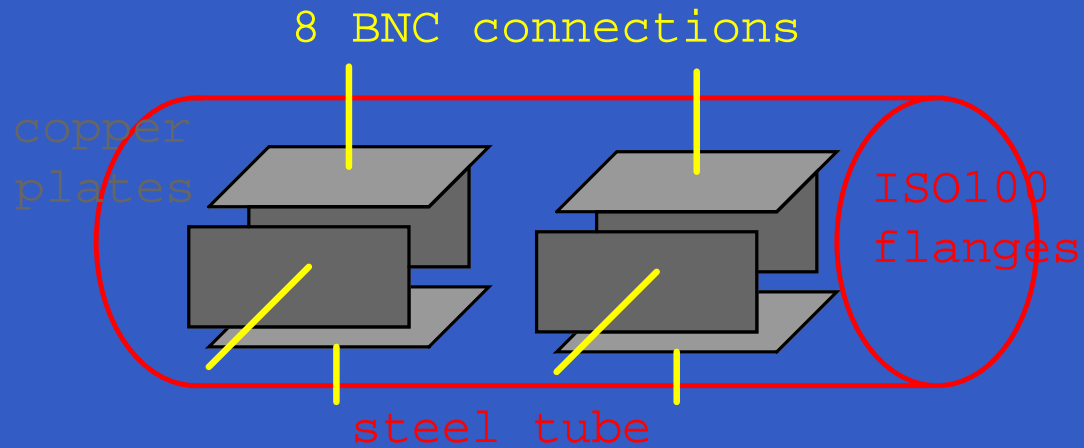
Conclusions and foreseen

- the CRFQ is a new type of circular accelerators
- a collaboration for the bending principle proof is going on
- about the linear sector:
 - a cold model has been built and tested
 - the hot model has been built and tested
 - the first beam tests has been done, more tests in the next months
- the first curved sector is going to be built in the next months

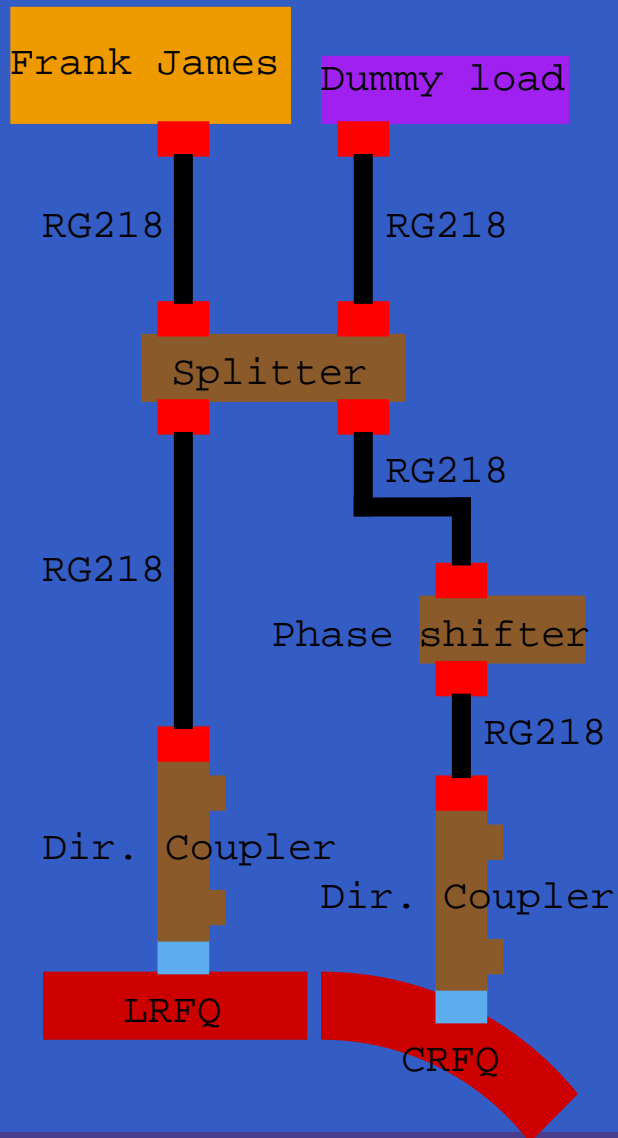
References

- A. Ruggiero, BNL-AP-65 note, 2001
- CRFQ02 workshop final relation, Benevento, Italy, October 2002
- L. Campajola, D. Davino, M.R. Masullo, A.G. Ruggiero, V.G. Vaccaro, RF excitation of linear and curved sections of the CRFQ project, EPAC2004 Conference (MOPLT055), Luzern.
- L. Campajola, D. Davino, M.R. Masullo, A.G. Ruggiero, V.G. Vaccaro, A practical demonstration of the CRFQ Storage Ring, EPAC2004 Conference (MOPLT071), Luzern.

Diagnostic box design



RF diagram



RF power source



- *Frank James* amplifier from CERN (M. Vretenar)
- Pulsed 50 kW (2 Hz max, 1 msec), $f_0=202.56\text{MHz}$
- 3 racks (amplifier, high voltage, low level)

RF power source



- *Frank James* amplifier from CERN (M. Vretenar)
- Pulsed 50 kW (2 Hz max, 1 msec), $f_0=202.56\text{MHz}$