

DESIGN OF THE 7 MEV/U, 217 MHZ INJECTOR LINAC FOR THE PROPOSED ION BEAM FACILITY FOR CANCER THERAPY AT THE CLINIC IN HEIDELBERG

B. Schlitt, GSI, Planckstraße 1, D-64291 Darmstadt, Germany
A. Bechtold, U. Ratzinger, A. Schempp, IAP, Frankfurt am Main, Germany

Abstract

A dedicated clinical synchrotron facility for cancer therapy using energetic proton and ion beams (C, He and O) has been designed at GSI for the Radiologische Universitätsklinik at Heidelberg, Germany. The design of the injector linac is presented. Suitable ion sources are discussed and results of ion source test measurements are reported. The LEBT allows for switching between two ion sources. A short RFQ accelerates the ions from 8 keV/u to 400 keV/u. It is followed by a very compact beam matching section and a 3.8 m long IH-type drift tube linac for the acceleration to 7 MeV/u. Both rf structures are designed for a resonance frequency of 216.816 MHz and for ion mass-to-charge ratios $A/q \leq 3$ ($^{12}\text{C}^{4+}$, H_3^+ , $^3\text{He}^+$, $^{16}\text{O}^{6+}$).

1 INTRODUCTION

Since December 1997 nearly 70 patients have been treated successfully with energetic carbon ion beams within the GSI cancer treatment program. Advanced technologies like the intensity-controlled rasterscan method for 3-dimensionally conformal tumor treatment using pencil-like ion beams and an active control of the beam intensity, energy, position and width during the irradiation have been developed [1, 2]. The developments and experiences of this program led to a proposal for a hospital-based ion accelerator facility for the clinic in Heidelberg [3]. It consists of a 7 MeV/u injector linac and a 6.5 Tm synchrotron [4] to accelerate the ions to final energies of 50 to 430 MeV/u.

Three treatment areas (two isocentric ion gantries and one fixed horizontal beam line) are proposed to treat about 1000 patients/year. To cover the specific medical requirements, the accelerator facility is designed to deliver both beams of low-LET (linear energy transfer) ions (p, He) and high-LET ions (C, O). The requested maximum beam intensities at the irradiation point are 1×10^9 carbon ions/spill and 4×10^{10} protons/spill. Only active and no passive beam delivery systems are planned.

2 INJECTOR LAYOUT

A compact injector linac with a total length of about 13 m has been designed (Fig. 1 and Table 1). To provide a fast switching between low and high-LET ion beams, the analyzed beams from two ion sources running in parallel can be selected by a switching magnet before injection into the rf linac. For the production of the high-LET ion beams an ECR ion source (ECRIS) is proposed. For the production of the low-LET ion beams the installation either of an ECRIS of the same type or of a much more compact, cheaper and simpler gas discharge ion source is discussed.

To form short beam pulses, a fast macropulse chopper will be used in the common straight section of the LEBT line. For the intensity-controlled rasterscan method different beam intensities within an intensity range of 1/1000 are requested for each individual synchrotron cycle. The required controlled beam intensity variation will be performed already along the LEBT line by changing the driving currents of the quadrupole triplet magnets following each spectrometer section from pulse to pulse.

The 21 MV rf linac [5] is designed for ion mass-to-charge ratios $A/q \leq 3$ and an operating frequency of 216.816 MHz. It has a total length of only about 5.5 m and consists of two cavities — a short RFQ structure and an efficient IH-type drift tube linac. For stripping off the remaining electrons prior to injection of the ions into the synchrotron, a thin foil stripper located about 1 m behind of the DTL is used for all ion species.

To avoid contaminations of the helium ion beams with ions from other elements having the same A/q , the use of ^3He instead of ^4He is proposed. To reduce space-charge effects along the complete injector linac in case of hydrogen ion beams and to increase the extraction voltage of the ion source, the production and acceleration of molecular H_2^+ or H_3^+ ion beams is planned. The molecules are breaking up into protons at the stripper foil.

Table 1: Major parameters of the injector linac.

Design ion	$^{12}\text{C}^{4+}$
Operating frequency	216.816 MHz
Final beam energy	7 MeV/u
Pulse currents after stripper	$\approx 100 \text{ e}\mu\text{A C}^{6+}$ $\approx 0.7 \text{ mA protons}$
Beam pulse length	$\leq 200 \text{ }\mu\text{s @ } \leq 5 \text{ Hz}$
Duty cycle	$\leq 0.1 \text{ }\%$
Norm. transverse exit beam emittances (95%) ¹	$\approx 0.8 \text{ }\pi \text{ mm mrad}$
Exit momentum spread ¹	$\pm 0.15 \text{ }\%$
Total injector length ²	$\approx 13 \text{ m}$

¹ Not including emittance growth effects in the stripper foil.

² Including the ion sources and up to the foil stripper.

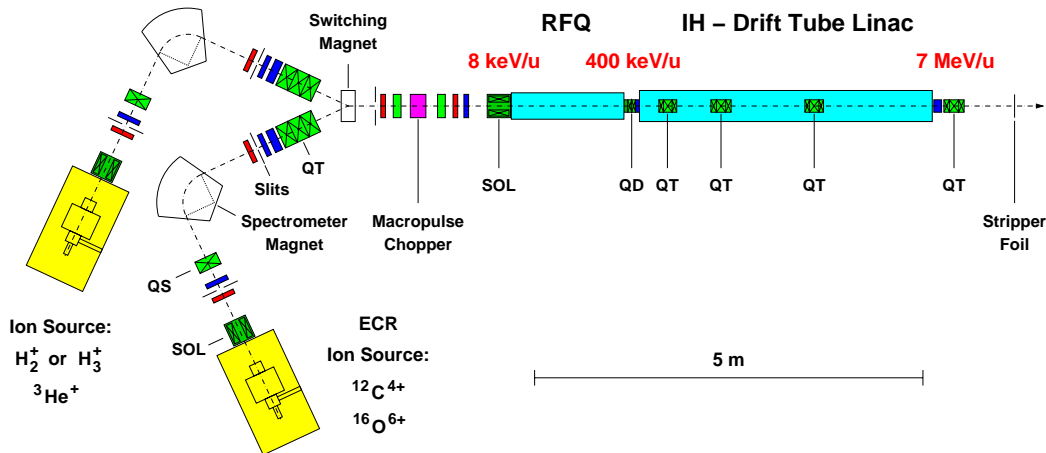


Figure 1: Schematic drawing of the injector linac. SOL \equiv solenoid magnet, QS, QD, QT \equiv magnetic quadrupole singlet, doublet, triplet.

3 ION SOURCES

To achieve the demanded beam intensities at the irradiation point with only moderate requirements for the ion sources, a multiturn-injection procedure with an accumulation factor of 10 is proposed for the synchrotron. Considering reasonable loss factors for the complete accelerator chain and the beam lines, the ion currents required from the ion sources range from roughly $100 \text{ e}\mu\text{A O}^{6+}$ to about $650 \mu\text{A H}_2^+$ (Table 2).

3.1 ECR ion source

A high-performance 14.5 GHz fully permanent magnet ECRIS called SUPERNANOGAN has been developed at GANIL [6] and is commercially available from PANTECHNIK S.A., France. To check the suitability of the source for the therapy injector, test measurements have been performed at the ECRIS test bench at GANIL. The required ion currents could be exceeded by at least 50% (C^{4+} , H_2^+) up to a factor of about 3 (O^{6+} , He^{1+}) in a stable DC operating mode. The rf power transmitted by the rf generator was about 100 W for the extraction of 1.1 mA He^{1+} up to about 420 W for a 200 $\text{e}\mu\text{A C}^{4+}$ beam. The measured normalized 90% transverse beam emittances are

Table 2: Ion currents I_{ion} required from the ion sources and ion source potentials V_{IS} needed for a beam energy in the LEBT of 8 keV/u.

Ion species from source	I_{ion} [μA]	V_{IS} [kV]	Ion species to synchrotron
$^{16}\text{O}^{6+}$	100	21.3	$^{16}\text{O}^{8+}$
$^{12}\text{C}^{4+}$	130	24	$^{12}\text{C}^{6+}$
$^3\text{He}^{1+}$	320	24	$^3\text{He}^{2+}$
$^1\text{H}_2^+$	650	16	protons
$^1\text{H}_3^+$	440	24	protons

$< 0.5 \pi \text{ mm mrad}$ for 280 $\text{e}\mu\text{A O}^{6+}$, about $0.6 - 0.65 \pi \text{ mm mrad}$ for C^{4+} and $\text{He}^{1+,2+}$ and roughly $0.7 \pi \text{ mm mrad}$ for a 1.5 mA proton beam. In the latter case, the measured values may be limited by the acceptance of the spectrometer system at GANIL. During the tests, some high-voltage problems occurred above an extraction voltage of about 20 kV. Meanwhile, these problems have been analyzed by PANTECHNIK and some improvements will be tested soon. The solution of these problems is essential for the therapy injector since extraction voltages of up to 24 kV are required for a beam energy of 8 keV/u (Table 2). However, alternative high-performance ECR ion sources using electromagnets are available, which can be operated at the required source potentials. For instance, the ECR4-M type ECRIS available from PANTECHNIK or the 10 GHz NIRS-ECR operated at HIMAC.

3.2 Gas discharge ion source

Besides economical reasons, a gas discharge ion source optimized for the production of singly charged ions has several advantages. In contrast to ECR ion sources, where the H_3^+ fraction of the extracted hydrogen ion beams is only a few percent, it can be optimized to more than 90% in case of a gas discharge ion source at low arc currents [7, 8, 9]. The acceleration of H_3^+ ion beams has the important advantage that the rf power levels in the linac cavities can be identical in case of $^{12}\text{C}^{4+}$ and for hydrogen ion beams. Hence, faster switching between both beams would be possible as well as a very stable and reliable operation of the cavities. Furthermore, higher ion currents can be extracted easily and very high beam qualities are achieved. For example, for a 9 mA He^+ beam extracted with an extraction voltage of 17 kV a normalized 80% transverse beam emittance of $0.003 \pi \text{ mm mrad}$ was measured using the high-current high-brilliance gas discharge ion source developed at the Institut für Angewandte Physik (IAP) at the University of Frankfurt [10]. With the same source, current densities of more than 40 mA/cm^2 could be achieved easily for

H_3^+ beams with H_3^+ fractions of about 94 % [8, 9].

4 RF LINAC

A compact four-rod like RFQ structure for the acceleration from 8 keV/u to 400 keV/u has been designed at the IAP. The electrode length is 1.35 m, the electrode voltage is 70 kV and the expected rf peak power is about 100 kW at a low duty cycle around 0.1 %. For matching the output beam parameters to the values required at injection into the IH-DTL a very compact scheme is proposed. For bunching the beam in the longitudinal phase plane a drift tube directly following the RFQ structure will be integrated into the RFQ tank. Results of PARMTEQ simulations of the RFQ as well as first results of model measurements and MAFIA simulations regarding the integration of the drift tube are reported in Ref. [11].

For focusing the beam in both transverse phase planes and for correction of small angular deviations of the beam at the RFQ exit, a magnet unit consisting of an xy-steerer and a magnetic quadrupole doublet is flanged to the RFQ tank. The unit has a total length of only 15 cm. It is followed by a diagnostic chamber of 5 cm length, which contains a capacitive phase probe and a beam transformer. The simulation of the particle dynamics along the matching section is included in the simulations of the RFQ and of the IH-DTL [5, 11].

The IH-type drift tube linac for the acceleration from 0.4 MeV/u to 7 MeV/u consists of four KONUS [12] sections housed in the same cavity of about 3.8 m in length and 30 cm in diameter [5, 13]. It consists of 56 accelerating gaps and three integrated magnetic quadrupole triplet lenses. The expected rf peak power is about 1 MW. To achieve an approximately constant maximum on-axis electric field of about 18 MV/m along the whole structure, the gap voltage distribution is ramped from about 200 kV at the low-energy end to about 480 kV at maximum. By careful optimization of the individual KONUS sections, the acceptance of the structure was increased to about 1.3π mm mrad (norm.) in the transverse phase planes, and to about 3.0π ns keV/u in the longitudinal plane.

Behind the IH-DTL the beam is focused on the stripper foil by another magnetic quadrupole triplet. The particle distributions at the stripper foil resulting from particle tracking simulations along the DTL using the LORASR code are presented in Fig. 2. The particle distributions used at injection into the DTL have been matched to the results of the RFQ simulations. The 95 % emittance areas at DTL injection are 1.3π ns keV/u in the longitudinal phase plane and 0.7π mm mrad (norm.) in both transverse planes. The transverse beam emittances are based on the values measured for the ECR ion sources under discussion. The relative growth of the 95 % ellipse areas along the DTL is about 22 % in all three phase space projections, the rms emittance growth amounts to about 10 % in each plane. Beam envelopes along the DTL have been presented already in earlier publications [5, 13]. The current limit for the IH-DTL

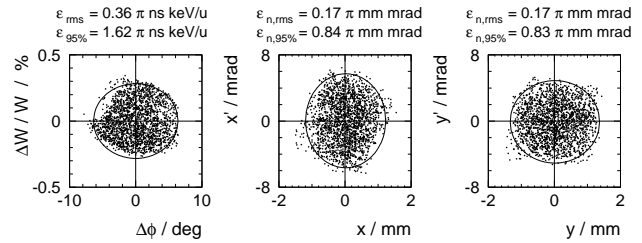


Figure 2: Particle distributions at the stripper foil. The ellipses contain 95 % of the particles.

for ions with $A/q = 3$ resulting from beam dynamics simulations is larger than $20 e\mu A$ [13]. The momentum spread of the ion beam at the stripper foil is about ± 0.15 %. It will be increased due to energy-straggling effects in the foil. To enhance the injection efficiency into the synchrotron, the momentum spread will be reduced to $\leq \pm 0.1$ % by a debuncher cavity installed in the synchrotron injection beam line. An 1:2 scaled rf model of the IH-DTL structure is designed at present at GSI. First model measurements are scheduled for the second quarter of the next year.

5 ACKNOWLEDGEMENTS

We would like to thank C. Bieth, S. Kantas, O. Tasset and E. Robert (PANTECHNIK) for performing the SUPER-NANOGAN test measurements at GANIL. The fruitful cooperation of L. Dahl (GSI) in the LEBT design is greatly acknowledged.

6 REFERENCES

- [1] G. Kraft et al., in: *Proc. EPAC 98, Stockholm, 1998*, p. 212.
- [2] H. Eickhoff, Th. Haberer and R. Steiner, in: *Proc. EPAC 98, Stockholm, 1998*, p. 2348.
- [3] H. Eickhoff, D. Böhne, Th. Haberer, B. Schlitt, P. Spiller, J. Debus and A. Dolinskii, in: *Proc. EPAC 2000, Vienna, 2000*, in print, and references therein.
- [4] A. Dolinskii, H. Eickhoff and B. Franczak, in: *Proc. EPAC 2000, Vienna, 2000*, in print.
- [5] B. Schlitt and U. Ratzinger, in: *Proc. EPAC 98, Stockholm, 1998*, p. 2377.
- [6] P. Sortais et al., *Rev. Sci. Instrum.* **69**, 656 (1998).
- [7] R. Hollinger, P. Beller, K. Volk, M. Weber and H. Klein, *Rev. Sci. Instrum.* **71**, 836 (2000).
- [8] R. Hollinger, PhD Thesis, Universität Frankfurt a.M., 2000.
- [9] R. Hollinger, private communication, 2000.
- [10] K. Volk, W. Barth, A. Lakatos, T. Ludwig, A. Maaser, H. Klein and K.N. Leung, in: *Proc. EPAC 94, London, 1994*, p. 1438.
- [11] A. Bechtold, A. Schempp, U. Ratzinger and B. Schlitt, in: *Proc. EPAC 2000, Vienna, 2000*, in print.
- [12] U. Ratzinger and R. Tiede, *Nucl. Instr. and Meth. in Phys. Res. A* **415** (1998) 229.
- [13] S. Minaev, U. Ratzinger and B. Schlitt, in: *Proc. 1999 Part. Accel. Conf., New York, 1999*, p. 3555.