

**ENTRY NO.** CU71 **Date** Sept. 1995  
**Cyclotron Model** Scanditronix MC 35  
**Institution** Dept. of Physics, Univ. of Oslo  
**Address** P.O. Box 1048, Blindern, 0316 Oslo, Norway  
**Tel** 47 22 85 64 28  
**Fax** 47 22 85 64 22  
**In Charge:** M.Guttormsen **Reported by:** S.Messelt

**HISTORY**  
**MILESTONE DATES:**  
**Installation** First Beam 1979  
**DESIGN/CONSTRUCTION BY:** Scanditronix AB, Sweden  
**COST:** Accelerator Nkr 6 mill. Facility 2 mill.  
**FUNDED BY:** Univ. of Oslo and Norw. Res. Council

**STATUS**  
**STAFF:** Operators 2 Technicians  
**BUDGET:** Machine Nkr 0,6 mill. Funded by Univ. Res. Coun.  
**TIME DISTRIBUTION:** (e.g. basic research, isotope production, maintenance, etc.)  
 (a) Basic nuclear research 80 %  
 (b) Nuclear chem. 10 %  
 (c) Maintenance etc. 10 %  
 (d) %  
 (e) %

**CHARACTERISTIC BEAMS**

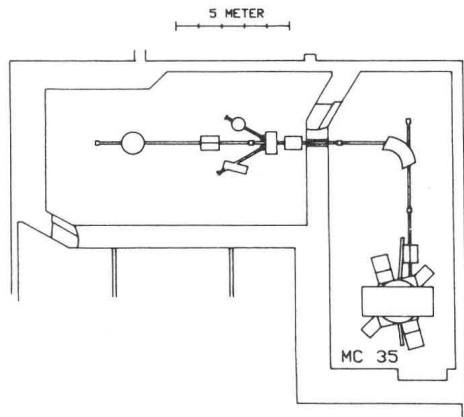
Accelerated Ions	E/A (MeV/u)	Current (part $\mu$ A)	
		Internal	External
(a) p	8 - 35	1	10
(b) $^3\text{He}$	4 - 15	0.1	3

1994  $\mu$ A-hours on target: 440

**FACILITIES**  
**SHIELDED AREA:** Fixed: 150 m<sup>2</sup> Moveable m<sup>2</sup>  
**Target Stations:** 4 No. Served At Same Time: 1  
**OTHER FACILITIES:**  $^3\text{He}$  recycling,  
 CACTUS/SIRI particle-gamma multidetector system.

**REFERENCES/NOTES**  
 (a) Annual Reports 1979 - 94, Nuclear Physics Group, Univ. of Oslo

**PLAN VIEW OF FACILITY, COMMENTS**



**Entry:** CU73 **Date:** 15 juin 1998  
**Machine Name:**  
**Cyclotron Model:** MGC-20  
**Institution:** V.G.Khlopin Radium Institute  
**Address:** St.Petersburg, Russia  
**Tel:** 247-61-81  
**Fax:** 247-61-81 **Web:**  
**E-mail:**  
**In Charge:** Leonid M. Solin

**HISTORY**  
**Installation:** 1987 **First Beam:** 1988  
**Design/Construction by:** D.V.Efremov Institute  
**Funded by:**

**USES**  
 Isotope production..... 100 %  
 %  
 %  
 %  
**Total time:** 1500 h/year

**CHARACTERISTIC BEAMS**  
**Ions/energy/current**  
 p/5-20/50  $\mu$ A  
 d/3-10/50  $\mu$ A  
 $^4\text{He}$ /6-20/25  $\mu$ A

**EXPERIMENTAL FACILITIES**  
 .....  
 .....

**REFERENCES**  
 .....  
 .....

**PLAN VIEW OF FACILITY**

**COMMENTS**  
 .....  
 .....